

Smart Radar Level Transmitter

ALT6210

Overview

The ALT6210 is a reliable 2-wire radar level transmitter for liquids and slurries, designed for outstanding performance in a wide range of applications and process conditions. It measures level directly and is unaffected by most fluid property changes, including temperature, pressure, vapor gas mixture, density, turbulence, bubbling/boiling, dielectric, pH, viscosity, crystallization, etc.

Features

- Non-contacting, making it virtually unaffected by process conditions
- No moving parts, means little or no Maintenance
Less affected by coating with Condensation Resistant Antenna
- Reduced echoes from obstacles / tank walls with Circular Polarization
- Continuous measurement of level or distance-to-surface.



Specification

Measuring range	0.5 ~ 35 meter, 0.5 ~ 70 meter
Frequency	~ 26 GHz
Power	16 ~ 45VDC
Accuracy	+/- 3 mm
Output	4 ~ 20 mA
Ambient Temperature	-20 to + 80 °C
Process Temperature	-40 to + 160 °C (-40 to + 400 °C optional)
Process Pressure	20 bar(160 bar optional)
Response Time	< 1second
Warm-up Time	< 5 seconds

ALT6210 Ordering Information

Model	Description	
ALT6210	Radar Level Transmitter (26GHz)	
Code	Measurement	
-L	Level	
-D	Distance	
Code	Antenna Type	
2H	Horn Antennas / 2" / 120 mm / SST*	
3H	Horn Antennas / 3" / 220 mm / SST*	
4H	Horn Antennas / 4" / 285 mm / SST	
3P	Process seal Antennas / 3" / 230mm / Polypropylene*	
4P	Process seal Antennas / 4" / 300mm / Polypropylene	
1E	Encapsule Antennas / 2" Threaded connection / Polypropylene	
2E	Encapsule Antennas / 2" Threaded connection / PTFE	
1P	Parabolic antennas*	
S	Special*	
Code	Process Connection	
A21	2" ANSI, #150*	Flange
A31	3" ANSI, #150*	
A41	4" ANSI, #150	
A61	6" ANSI, #150	
A81	8" ANSI, #150	
J05	JIS 50A, 10K*	
J08	JIS 80A, 10K*	
J10	JIS 100A, 10K	
J15	JIS 150A, 10K	
J20	JIS 200A, 10K	
T1	2" NPT	Threaded connection (for Encapsule Antennas)
T2	3" NPT	
T3	4" NPT	
S	Special*	
Code	Process Temperature / Pressure	
S	Standard	
HP	High Temperature & High Pressure*	
Code	Material of Construction : Process Connection / Antenna	
S	304 SST	
T	316 SST	
P	CPVC	
F	Polypropylene (for Process seal and Encapsule antennas)	
S	Special*	
Code	O-ring Material	
V	Viton	
B	Buna-N	

Code	Electrical Connection
1	1/2-14NPT
2	G1/2-14
X	Special*
Code	Hazardous Location Certifications
-K0	Maker Standard (Waterproof:IP67)*
-K1	Korea Flameproof Approval(KCs)*
Code	Option
M1	LCD Indicator
LP	Lightening Protector
BR	Stainless Steel Bracket (with SST Bolts)
ST	Stainless Steel Housing

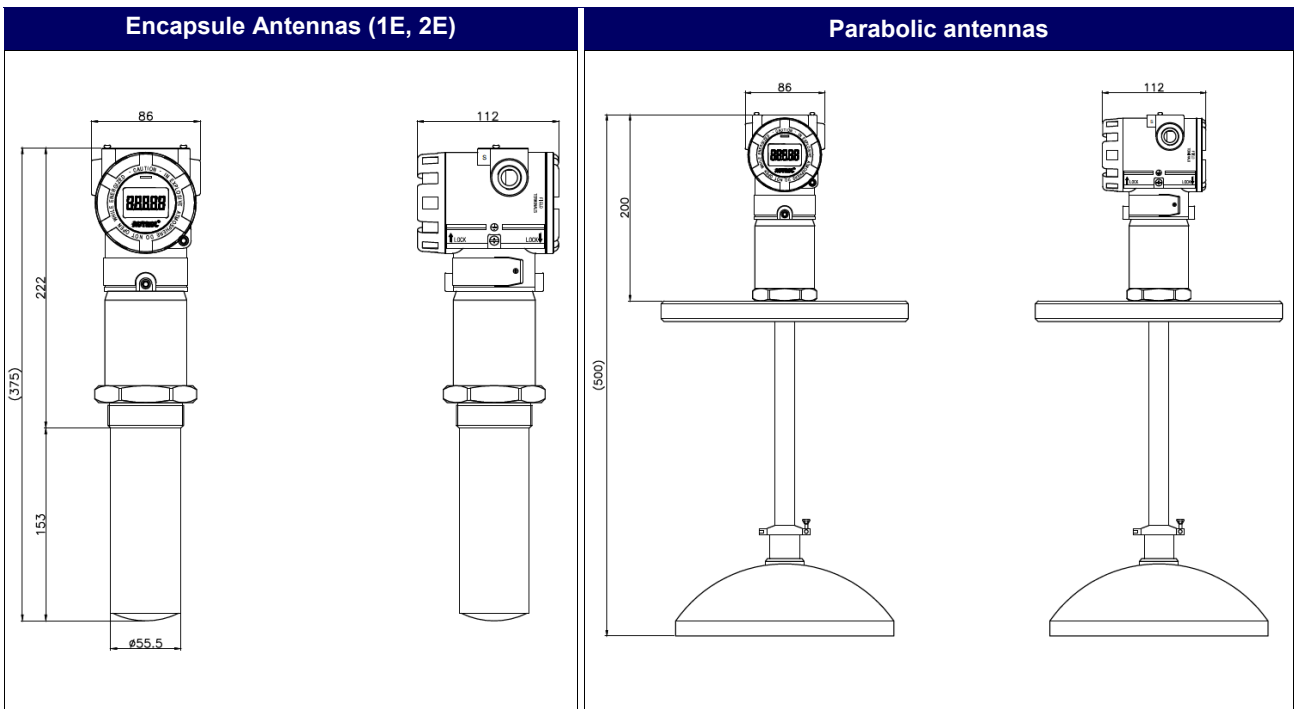
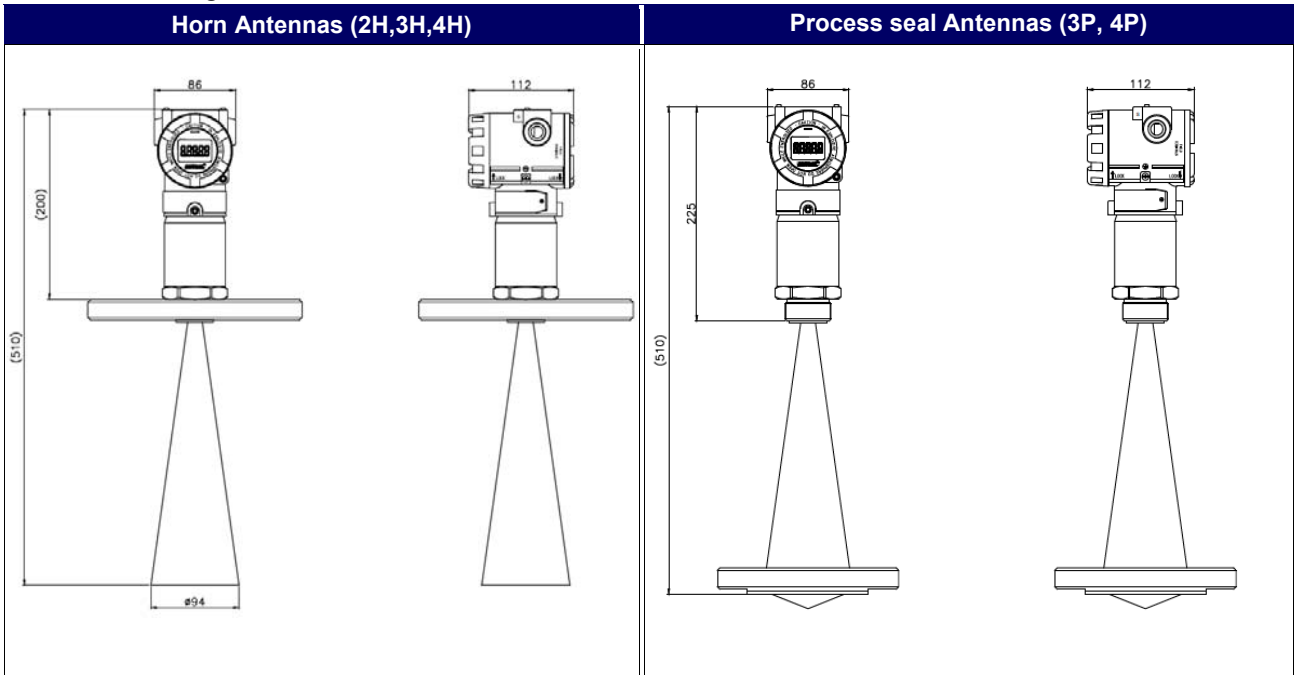
Example : ALT6210-L6HA61SSV1K0M1

Radar Level Transmitter, 6" Horn Antenna, 6" ANSI, #150, Flange,
Standard Temp/Pressure,

Material of Construction 304 SST, Viton O-ring, Maker Standard Certification,
LCD Indicator

Note : "*" consult manufacturer before order

Antenna Drawings



Operation Manual

