



IT8800 Multi-function electronic load

IT8800 programmable high-accuracy electronic load has especial LED mode which supports LED power drive test and provide programmable parameters for LED current simulation. The power of single channel can meet your various needs, which ranges from 150W to 55KW and the highest power is 600KW, it also has OVP/OCP/OPP/OTP. IT8800 is with the resolution of voltage and current is 0.1mV and 0.01mA, adjustable current rising speed, 0.0001A/us-2.5A/us adjustable space. CC/CV/CR/CP dynamic working mode, the highest testing speed of current and voltage is 50KHZ, the data memory is 100 sets. It supplies external analog and built-in RS232, USB, and GPIB to make your control the instrument more conveniently by software.



Model	Power	Voltage	Current
IT8812B	200W	500V	15A
IT8813B	750W	500V	30A
IT8814B	1200W	500V	60A
IT8816B	2500W	500V	100A
IT8817B	3600W	500V	120A
IT8818B	5KW	500V	150A

*High power electronic load(10KW-55KW)

Model	Power	Voltage	Current
IT8830B	10KW	500V	200A
IT8831B	15KW	500V	300A
IT8832B	20KW	500V	400A
IT8833B	25KW	500V	500A
IT8834B	30KW	500V	600A
IT8835B	35KW	500V	700A
IT8836B	40KW	500V	800A
IT8837B	45KW	500V	900A
IT8838B	50KW	500V	1000A
IT8839B	55KW	500V	1100A

*Highest power of single electronic load reach 600KW; customized-design is acceptable.

For higher power/voltage/current test, please contact ITECH.

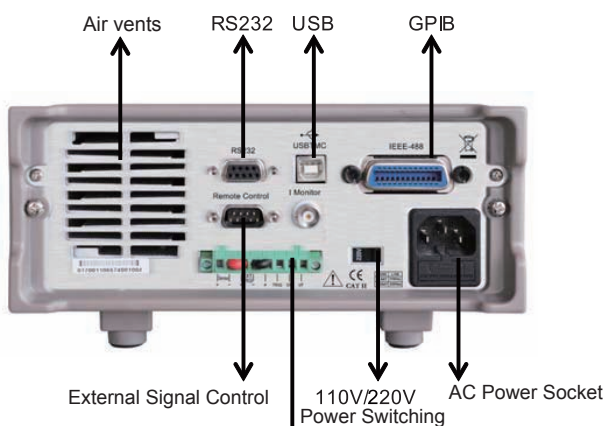
Model	Power	Voltage	Current
IT8811	150W	120V	30A
IT8812C	250W	120V	60A
IT8813C	750W	120V	120A
IT8814C	1500W	120V	240A
IT8816C	3KW	120V	400A
IT8817C	4500W	120V	600A
IT8818C	6KW	120V	720A
IT8818D	6KW	60V	700A
IT8819H	7500W	800V	80A
IT8830	10KW	120V	500A
IT8831	15KW	120V	750A
IT8832	20KW	120V	1000A
IT8833	25KW	120V	1500A

*High power electronic load(10KW-55KW)

Model	Power	Voltage	Current
IT8919H	7.5KW	800V	80A
IT8830H	10KW	800V	100A
IT8831H	15KW	800V	150A
IT8832H	20KW	800V	200A
IT8833H	25KW	800V	250A
IT8834H	30KW	800V	300A
IT8835H	35KW	800V	350A
IT8836H	40KW	800V	400A
IT8837H	45KW	800V	450A
IT8838H	50KW	800V	500A
IT8839H	55KW	800V	600A

■ Features

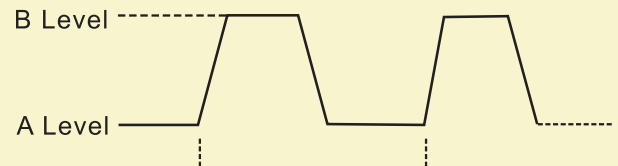
- VFD display
- Dynamic mode: up to 25 KHz
- Measurement resolution: 0.1mV, 0.01mA
- OVP/OCP/OPP/OTP and reverse polarity protection
- Measurement speed: up to 50KHz
- Four operation mode:CC/CV/CP/CR
- Remote sense
- Rotary knob, making the operation more easier
- Battery test function
- Memory capacity: 100 sets
- Adjustable current rising slope:0.001A/μS~2.5A/μS
- Short-circuit test function
- Dynamic test, auto-test
- With skid-resistant tripod and portable firm chassis
- Controlled by intelligent fans
- Built-in Buzzer as alarm signal
- Power off memory function
- CR-LED test
- OCP/OPP test
- Voltage rising speed test
- External analog control
- Support VISA/USB/TMC/SCPI communication protocol
- Built-in RS232/USB/GPIB communication interface
- Controlled by computer via software



Remote Sense/External Trigger/External Analog Control Terminals

Dynamic Mode: Up To 25KHz

The transient test allows switching between two different load values. The function is used to test dynamic characteristic of power supply.

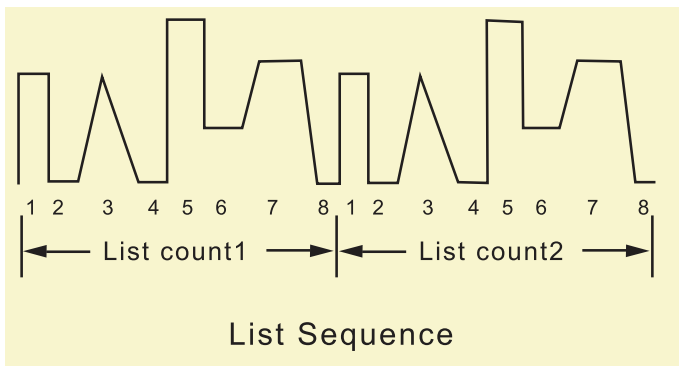


Continuous Transient Operation

Adjustable Rising/Falling Speed Of Current

List mode allows you to generate a complex current sequence. Moreover, the mode change can be synchronized with an internal or external signal, to accomplish dynamic and precise test.

A list file includes following parameters: file name, step counts (range 2-84), time width of single step (0.00002s~3600s), step value and slope. The LIST function can make many kinds of complex sequences, to meet complicated test requirements. The slope range is 0.0001A/us~2.5A/us.



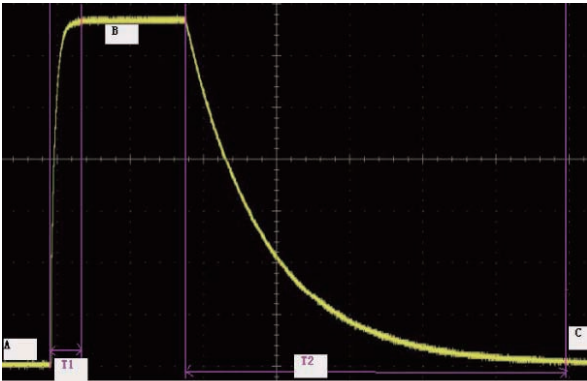
List Sequence

CR-LED Process

Unique LED mode can provide LED power test, can be used in LED power simulation. As we all know the LED constant power output waveform usually have large current ripple. This is because of the ripple, traditional CR mode can't simulate the actual characteristic of LED driver, its testing current and voltage will shake. Based on traditional CR mode, CR-LED mode adds the setting item of diode break-over voltage. Only when the input voltage is above the set value, will the DC load start to work. Thus, the IT8800 series can simulate the actual characteristic of LED.

Voltage Rising/Falling Time Test

IT8800 provides unique measurement function to test voltage rising/falling time. It can calculate the time from one voltage to another voltage. No need to use the oscilloscope. Voltage rising time is an important index of a device.



Current Monitor

IT8800 series products allows the users to monitor actual current through I-monitor terminal. Users could connect an oscilloscope to observe actual current. It will generate at 0-10V analog signal to represent to 0-100% rated current of the front panel.

Communication Function

Built-in standard RS232 /USB/GPIB communication interface, which can meet your different requirements. And the communication speed is faster than its the device with communication cable.



Auto-test Function

IT8800 auto-test function can simulate many kinds of testing. It totally can edit 10 test files, and can make connection between one file and another. Also you can choose the condition to stop the test: stop when testing pass or fail. Its adjustable current speed rate of rising and falling can make auto-test simulate various kinds of test waveform.

OCP/OPP Test Process

OPP test process: To start a OPP test, press “ shift+trigger” to edit an OPP file. When the input voltage has reached VON point, power will begin to work after a delay time. The power value will increase by a step size at regular intervals. Simultaneously, the DC load will judge whether the input voltage is lower than OPP voltage (you need to set). If it is, then the present current value will be compared to see if it is in the current range you've set, in this range, the power will continue to increase within the cut-off current range. And then compare OPP voltage with input voltage too.

OCP test process: To start an OCP test, press “ shift +trigger” to enter OCP editing screen. After input voltage reaches Von point, the DC load start to draw a current from the source after a delay time. The current value will increase by a certain step size at regular intervals. Simultaneously, the DC load will judge whether the input voltage is lower than OCP voltage you've set. If it is, then the present current value will be compared to see if it is in the current range you've set. Within the range, the OCP test will Pass or Fail.

IT8800 series programmable DC load, its maximum voltage is 800V, maximum current is 1500A, and its maximum power of single unit up to 55KW. More higher power of special specification can be customized design.



IT8811 (120V/30A/150W)



IT8818B (500V/150A/5000W)



IT8838H (800V/500A/50KW)

Panel Operation

It is very convenient to operate the IT8800 series electronic load panel, its shot-cut buttons are as follows: short circuit test, dynamic test, LIST test, data storage, data recalls, battery test, auto-test, test stop, test trigger, over current test, over power test.

Parameters Setting

It is quite convenient to set the parameters of IT8800 series, the users can use the panel button, to adjust pulsating knob, also can adjust the cursor around left and right keys, which to adjust stepper parameter values. This will eliminate the tedious steps of setting step.

Working Mode

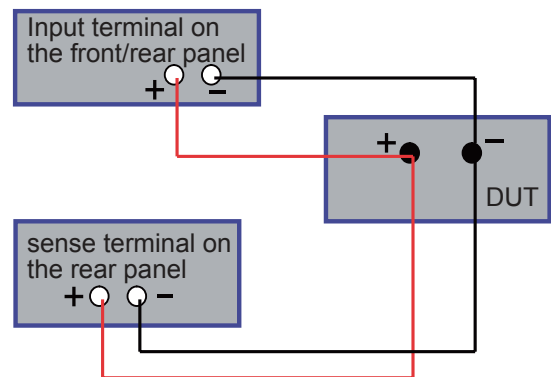
The working mode of IT8800 series electronic load has CC, CV, CP, CR, It will make you easy to simulate various characteristics of load, which can save cost greatly. It support OVP, OCP, OPP, OTP, LRV, and it can set the protection point of current, voltage, and power. In every condition, it will make auditory alarm and cut off the circuit to ensure the safety during test.

Remote Sense Function

In CC, CV, CR and CP mode, when load consume high current, it will cause large voltage-drop on the connection wires between tested instrument and terminals of load. Using remote sensing, you can sense the voltage at the power supply's terminals, effectively removing the effect of the voltage drop in the connection wires.

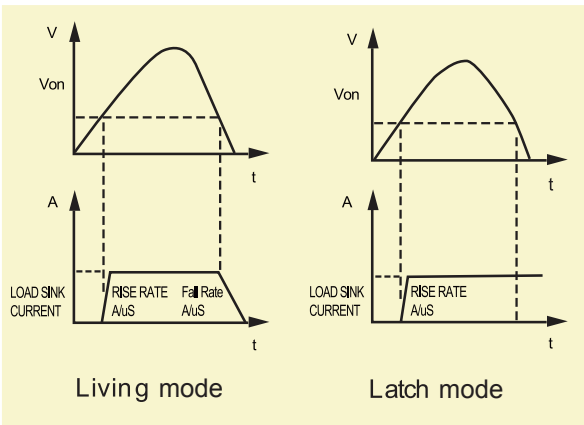
Remote operation: SENSE(+) and SENSE(-) are remote input terminals, in order to avoid the voltage-drop because of too long wires, remote test allows testing on the input terminals to improve the test accuracy.

Wire connection diagram of remote test is as follows:

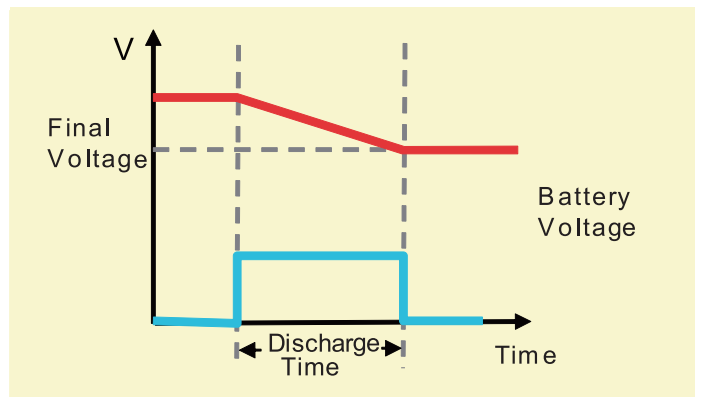


Support Living and Latch modes

IT8800 series support with loading voltage setting, and it offers two kinds of load modes. Choosing Living means working goes after status, when choosing Latch, it means work load point latch with loading status. It can meet different test requirements.



IT8800 series products test the battery capability in CC mode. Make a program to set the stop conditions. There are three stop conditions can be chosen: stop voltage, stop capacity and stop timer. The discharge process of electronic load is terminated if the system checks the battery reaches the specified value or under an insecurity state. In testing procedure, the battery voltage, discharge current, discharge time and discharged capability will display on the front panel.



IT8800 series can keep common used parameters in 100 sets non-volatile memory. It is convenient and quick to recall.

The rear panel of IT8800 series has voltage failure indicate terminal, when load in the status of OVP or LRV, the indicate terminal of VF foot voltage failue will output high level.

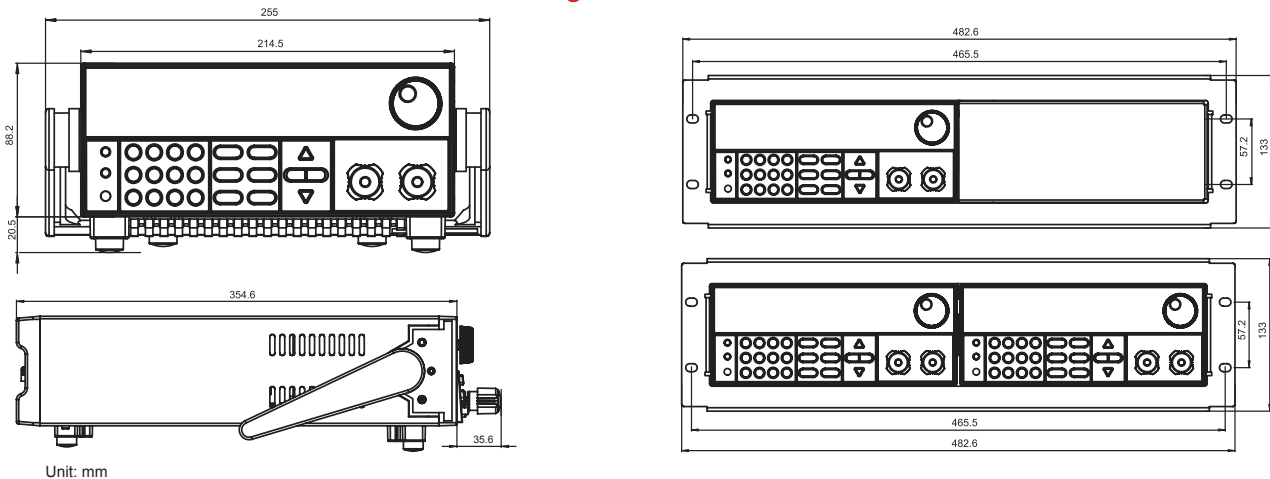
IT8800 series load allows the users to control current or voltage through the external analog terminals (EXT PRG). Input a 0-10V analog to adjust 0-100% rated voltage and current.

IT8811/12 Specifications

		IT8811		IT8812B		IT8812C		IT8819H	
Rated value	Input voltage	0 ~ 120 V		0 ~ 500 V		0 ~ 120 V		0~800V	
(0~40°C)	Input current	0 ~ 3 A	0 ~ 30 A	0 ~ 3 A	0 ~ 15 A	0 ~ 6 A	0 ~ 60 A	0~8A	0~80A
	Input power	150 W		200 W		250 W		7500W	
	Minimum operation voltage	0.11 V at 3 A	1.1 V at 30 A	0.45 V at 3 A	4.5 V at 15 A	0.18 V / 6 A	1.8 V / 60 A	0.28V/8A	2.8V/80A
	Range	0 ~ 18 V	0 ~ 120 V	0 ~ 50 V	0 ~ 500 V	0 ~ 18 V	0 ~ 120 V	0.1~80V	0.1~800V
CV mode	Resolution	1 mV	10 mV	1 mV	10 mV	1 mV	10 mV	1mV	10mV
	Accuracy	±(0.05%+0.025% FS)	±(0.05%+0.025% FS)	±(0.05%+0.025% FS)	±(0.05%+0.025% FS)	±(0.025%+0.05% FS)	±(0.025%+0.05% FS)	±(0.05%+0.05%FS)	
	Range	0 ~ 3 A	0 ~ 30 A	0 ~ 3 A	0 ~ 15 A	0 ~ 6 A	0 ~ 60 A	0~8A	0~80A
CC mode	Resolution	0.1 mA	1 mA	0.1 mA	1 mA	0.1 mA	1 mA	1mA	10mA
	Accuracy	±(0.05% + 0.05% FS)				±(0.05%+0.05%FS)		±(0.05%+0.1%FS)	
	Range	0.05 Ω ~ 10 Ω	10 Ω ~ 7.5 KΩ	0.3 Ω ~ 10 Ω	10 Ω ~ 7.5 KΩ	0.05 Ω ~ 10 Ω	10 Ω ~ 7.5 KΩ	0.03Ω~10Ω	10Ω~7.5KΩ
CR mode	Resolution	16 bit							
	Accuracy	0.01% + 0.08 S	0.01% + 0.0008 S	0.01% + 0.08 S	0.01% + 0.0008 S	0.01% + 0.08 S	0.01% + 0.0008 S	0.01%+0.08S	0.01%+0.0008S
	Range	150 W		200 W		250 W		7500W	
CP mode	Resolution	10 mW							
	Accuracy	0.1% + 0.1% FS		0.1% + 0.1% FS		0.2% + 0.2% FS		0.2%+0.25%FS	
Dynamic mode									
Dynamic mode	T1 & T2	CC		CC		CC		CC	
	Accuracy	20 μS ~ 3600 S / Res: 1 μS							
	Rising/decending slope	0.0001~0.25A/μS		0.001~2.5A/μS		0.0001~0.1A/μS		0.001~1A/μS	
	Measuring range	5 μS ± 100 ppm							
V Measurement	Range	0 ~ 18 V	0 ~ 120 V	0 ~ 50 V	0 ~ 500 V	0 ~ 18 V	0 ~ 120 V	0~80V	0~800V
	Resolution	0.1 mV	1 mV	1 mV	10 mV	0.1 mV	1 mV	1mV	10mV
	Accuracy	±(0.025% + 0.025% FS)						±(0.025%+0.025%FS)	
C Measurement	Range	0 ~ 3 A	0 ~ 30 A	0 ~ 3 A	0 ~ 15 A	0 ~ 6 A	0 ~ 60 A	0~8A	0~80A
	Resolution	0.01 mA	0.1 mA	0.01 mA	0.1 mA	0.1 mA	1 mA	1mA	10mA
	Accuracy	±(0.05% + 0.05% FS)		±(0.05% + 0.05% FS)		±(0.05% + 0.1% FS)		±(0.05%+0.05%FS)	
P Measurement	Range	150 W		200 W		250 W		7500W	
	Resolution	10mW							
	Accuracy	±(0.1% + 0.1% FS)		±(0.1% + 0.1% FS)		±(0.2% + 0.2% FS)		0.2%+0.25%FS	
Protection range									
OPP		≈160 W		≈210 W		≈260 W		≈7550W	
OCP		≈3.3 A	≈33 A	≈3.3 A	≈6.5 A	≈6.6 A	≈66 A	≈8.8A	≈88A
OVP		≈130 V		≈530 V		≈130 V		≈850V	
OTP		≈85 °C							≈85°C
Specification									
Short circuit	(CC)	≈3.3 / 3 A	≈33 / 30 A	≈3.3 / 3 A	≈16.5 / 15 A	≈6.6 A	≈66 A	≈8.8/8A	≈88/80A
	(CV)	0 V							
	(CR)	≈35 mΩ		≈300 mΩ		≈30 mΩ		≈35mΩ	
Input impedance		300 KΩ			1 MΩ		300 KΩ		2MΩ
Dimension		214.5 mm * 88.2 mm * 354.6 mm							12U

*1 Voltage/Current input value is more than 10%FS (FS means full range) *2Voltage/Current input value is more than 10%FS
 *3 Rise/fall slope:rise slope of 10%~90% current when current rising from 0 to max value

IT8811/12 Electronic Load Installation Diagram (1/2 2U,150W~300W)



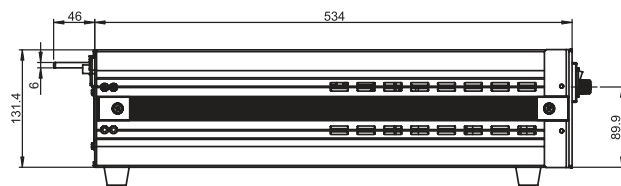
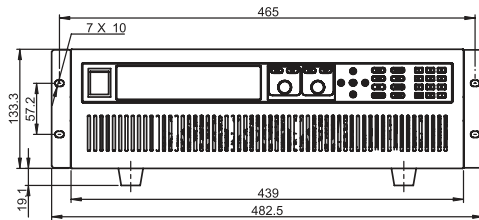


IT8813/14 Specifications

	IT8813C		IT8813B		IT8814C		IT8814B		
Rated value	0~120V		0~500V		0~120V		0~500V		
(0~40 °C)	0~120A		0~3A	0~30A	0~24A	0~240A	0~6A	0~60A	
Input power	750 W		750W		1500W		1200W		
Minimum operation voltage	0.12V at 12A	1.2V at 120A	0.36V/6A	3.6V/60A	0.15V at 24A	15V at 240A	0.36V/6A	3.6V/60A	
Range	0~18V	0~120V	0~50V	0~500V	0~18V	0~120V	0~50V	0~500V	
CV mode	Resolution	1mV	10mV	1mV	10mV	1mV	10mV	10mV	
	Accuracy	±(0.025%+0.05%FS)		±(0.025%+0.05%FS)		±(0.025%+0.05%FS)		±(0.025%+0.05%FS)	
	Range	0~12A	0~60A	0~3A	0~30A	0~24A	0~240A	0~6A	0~60A
CC mode	Resolution	1mA	1mA	0.1mA	1mA	1mA	10mA	0.1mA	1mA
	Accuracy	±(0.05%+0.1%FS)		±(0.05%+0.05%FS)		±(0.05%+0.1%FS)			
	Range	0.02Ω~10Ω	10Ω~7.5KΩ	0.15Ω~10Ω	10Ω~7.5KΩ	0.01Ω~10Ω	10Ω~7.5KΩ	0.1Ω~10Ω	10Ω~7.5KΩ
CR mode	Resolution	16bit							
	Accuracy	0.01%+0.08S	0.01%+0.0008S	0.01%+0.08S	0.01%+0.0008S	0.01%+0.08S	0.01%+0.0008S	0.01%+0.08S	0.01%+0.0008S
	Range	750W		750W		1500W		1200W	
CP mode	Resolution	10mW		10mW		100mW		100mW	
	Accuracy	0.2%+0.2%FS		0.2%+0.2%FS		0.2%+0.2%FS		0.2%+0.2%FS	
Dynamic mode									
		CC		CC		CC		CC	
Dynamic mode	T1 & T2	20 μS~3600S /Res:1 μS							
	Accuracy	5 μS±100ppm							
	Rising/decending slope	0.0001~0.25A/μS	0.001~2.5A/μS	0.0001~0.1A/μS	0.001~1A/μS	0.001~0.25A/μS	0.01~2.5A/μS	0.0001~0.1A/μS	0.001~1A/μS
Measuring range									
V Measurement	Range	0~18V	0~120V	0~50V	0~500V	0~18V	0~120V	0~50V	0~500V
	Resolution	1mV	10mV	1mV	10mV	0.1mV	1mV	1mV	10mV
	Accuracy	±(0.025%+0.025%FS)							
	Range	0~12A	0~120A	0~3A	0~30A	0~24A	0~240A	0~6A	0~60A
C Measurement	Resolution	1mA	10mA	0.1mA	1mA	1mA	10mA	0.1mA	1mA
	Accuracy	±(0.05%+0.1%FS)		±(0.05%+0.05%FS)		±(0.05%+0.1%FS)		±(0.05%+0.05%FS)	
	Range	750W		750W		1500W		1200W	
P Measurement	Resolution	10mW		10mW		100mW		100mW	
	Accuracy	±(0.2%+0.2%FS)		±(0.2%+0.2%FS)		±(0.2%+0.2%FS)		±(0.2%+0.2%FS)	
Protection range									
OPP		≈760W		≈760W		≈1550W		≈1250W	
OCP		≈13.2A	≈132A	≈3.3A	≈33A	≈26.4A	≈264A	≈6.6A	≈66A
OVP		≈130V		≈530V		≈130V		≈530V	
OTP		≈85 °C							
Specification									
Short circuit	(CC)	≈13.2/12A	≈132/120A	≈3.3/3A	≈33/30A	≈26.4/24A	≈264/240A	≈6.6A	≈66A
	(CV)	0V							
	(CR)	≈10mΩ	≈10mΩ	≈120mΩ	≈120mΩ	≈6mΩ	≈6mΩ	≈60mΩ	≈60mΩ
Input impedance		300KΩ		1MΩ		300KΩ		1MΩ	
Dimension		439mm*133.3mm*580mm							

*1 Voltage/Current input value is more than 10%FS (FS means full range) *2Voltage/Current input value is more than 10%FS
*3 Rise/fall slope:rise slope of 10%~90% current when current rising from 0 to max value

IT8813/14/16 /13B/14B/16B/13C/14C/16C Electronic Load Installation Diagram (3U,750W~3000W)



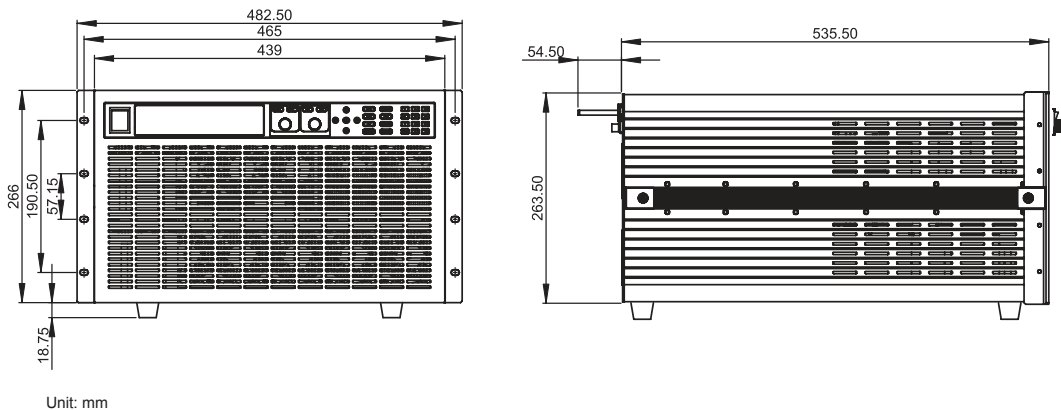
Unit: mm

IT8816/17 Specifications

Rated value	Input voltage	IT8816C		IT8816B		IT8817C		IT8817B	
(0~40 °C)	Input current	0~120V		0~500V		0~120V		0~500V	
	Input power	0~48 A	0~480A	0~10A	0~100A	0~60A	0~600A	0~12A	0~120A
	Minimum operation voltage:	3000 W		2.5KW		4500W		3.6KW	
	Range	0.2V at 48 A	2V at 480 A	0.3V at 10A	3V at 100A	0.18V at 60A	1.8V at 600A	0.3V/12A	3V/120A
CV mode	Resolution	0~18V	0~120V	0~50V	0~500V	0~18V	0~120V	0~50V	0~500V
	Accuracy	1mV	10mV	1mV	10mV	1mV	10mV	1mV	10mV
		±(0.025%+0.05%FS)		±(0.025%+0.05%FS)		±(0.025%+0.05%FS)		±(0.025%+0.05%FS)	
	Range	3000W		2.5KW		4500W		3.6KW	
CC mode	Resolution	0~48 A	0~480A	0~10A	0~100A	0~36A	0~360A	0~12A	0~120A
	Accuracy	1mA	10mA	1mA	10mA	1mA	10mA	1mA	10mA
	Range	±(0.05%+0.1%FS)		±(0.05%+0.05%FS)		±(0.1%+0.1%FS)		±(0.05%+0.05%FS)	
CR mode	Resolution	0.01Ω~10Ω	10Ω~7.5KΩ	0.03Ω~10Ω	10Ω~7.5KΩ	0.01Ω~10Ω	10Ω~7.5KΩ	0.03Ω~10Ω	10Ω~7.5KΩ
	Accuracy	16bit							
	Range	0.01%+0.08S	0.01%+0.0008S	0.01%+0.08S	0.01%+0.0008S	0.01%+0.08S	0.01%+0.0008S	0.01%+0.08S	0.01%+0.0008S
CP mode	Resolution	3000W		2.5KW		4500W		3.6KW	
	Accuracy	100mW							
		0.2%+0.2% FS		0.2%+0.2% FS		0.2%+0.2% FS		0.2%+0.2% FS	
Dynamic mode									
Dynamic mode	T1 & T2	CC		CC		CC		CC	
	Accuracy	20 μS~3600S /Res:1 μS							
	Rising/decending slope	5 μS±100ppm							
		0.001~0.25A/μS	0.01~2.5A/μS	0.001~0.1A/μS	0.01~1A/μS	0.001~0.25A/μS	0.01~2.5A/μS	0.001~0.1A/μS	0.01~1A/μS
V Measurement	Range	Measuring range							
	Resolution	0~18V	0~120V	0~50V	0~500V	0~18V	0~120V	0~50V	0~500V
	Accuracy	1mV	10mV	1mV	10mV	1mV	10mV	1mV	10mV
	Range	±(0.025%+0.025%FS)							
C Measurement	Resolution	0~24A	0~240A	0~10A	0~100A	0~60A	0~600A	0~12A	0~120A
	Accuracy	1mA	10mA	1mA	10mA	1mA	10mA	1mA	10mA
	Range	±(0.05%+0.1%FS)		±(0.05%+0.05%FS)		±(0.05%+0.1%FS)		±(0.05%+0.05%FS)	
P Measurement	Resolution	3000W		2.5KW		4500W		3.6KW	
	Accuracy	100mW							
		±(0.2%+0.2%FS)		±(0.2%+0.2%FS)		±(0.2%+0.2%FS)		±(0.2%+0.2%FS)	
OPP		Protection range							
OCP		≈3050W		≈2550W		≈4550W		≈3650W	
OVP		≈26.4A	≈264A	≈11A	≈110A	≈66A	≈660A	≈13.2A	≈132A
OTP		≈130V		≈530V		≈130V		≈530V	
		≈85 °C							
Short circuit	(CC)	Specification							
	(CV)	≈26.4/24A	≈264/240A	≈11A	≈110A	≈66/60A	≈660/60A	≈13.2A	≈132A
	(CR)	0V							
Input impedance		≈5mΩ	≈5mΩ	≈30mΩ	≈30mΩ	≈3mΩ	≈3mΩ	≈25mΩ	≈25mΩ
Dimension		300KΩ			1MΩ		300KΩ		1MΩ
		439mm*133.3mm*580mm				439mm*266mm*535.50mm			

*1 Voltage/Current input value is more than 10%FS (FS means full range) *2Voltage/Current input value is more than 10%FS
 *3 Rise/fall slope:rise slope of 10%~90% current when current rising from 0 to max value

IT8817 /17B/17C Electronic Load Installation Diagram (6U, 3.6KW~4.5KW)



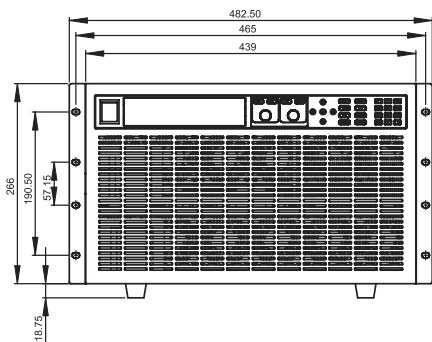


IT8818 Specifications

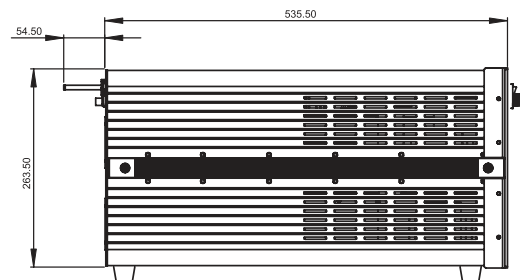
Rated value	IT8818C		IT8818B	
(0~40 °C)	Input voltage		Input voltage	
	Input current		Input current	
	Input power		Input power	
	Minimum operation voltage		Minimum operation voltage	
	Range		Range	
CV mode	Resolution		Resolution	
	Accuracy		Accuracy	
	Range		Range	
CC mode	Resolution		Resolution	
	Accuracy		Accuracy	
	Range		Range	
CR mode	Resolution		Resolution	
	Accuracy		Accuracy	
	Range		Range	
CP mode	Resolution		Resolution	
	Accuracy		Accuracy	
	Range		Range	
Dynamic mode	T1 & T2		T1 & T2	
	Accuracy		Accuracy	
	Rising/decending slope		Rising/decending slope	
V Measurement	Range		Measuring range	
	Resolution		Resolution	
	Accuracy		Accuracy	
C Measurement	Range		Range	
	Resolution		Resolution	
	Accuracy		Accuracy	
P Measurement	Range		Range	
	Resolution		Resolution	
	Accuracy		Accuracy	
	Protection range		Protection range	
OPP	≈ 6050 W		≈ 5050 W	
OCP	≈ 79.2 A		≈ 16.5 A	
OVP	≈ 130 V		≈ 165 A	
OTP	≈ 85 °C		≈ 530 V	
	Specification		Specification	
Short circuit	(CC)		(CC)	
	(CV)		(CV)	
	(CR)		(CR)	
Input impedance	300 KΩ		1 MΩ	
Dimension	439 mm * 266 mm * 590 mm		439 mm * 266 mm * 590 mm	

*1 Voltage/Current input value is more than 10%FS (FS means full range) *2Voltage/Current input value is more than 10%FS
*3 Rise/fall slope:rise slope of 10%~90% current when current rising from 0 to max value

IT8818/18B/18C/18D Electronic Load Installation Diagram (6U,5KW~6KW)



Unit: mm

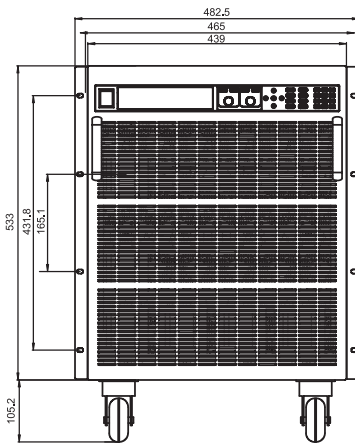


IT8830 Specifications

		IT8830		IT8830B		IT8830H	
Rated value (0~40 °C)	Input voltage	0 ~ 120 V		0 ~ 500 V		0 ~ 800 V	
	Input current	0 ~ 50 A	0 ~ 500 A	0 ~ 20 A	0 ~ 200 A	0 ~ 10 A	0 ~ 100 A
	Input power	10 KW		10 KW		10 KW	
Minimum operation voltage	Range	0.1 V at 50 A	1 V at 500 A	0.3 V at 20 A	3 V at 200 A	0.3 V at 10 A	3 V at 100 A
	Resolution	0 ~ 18 V	0 ~ 120 V	0 ~ 50 V	0 ~ 500 V	0 ~ 80 V	0 ~ 800 V
CV mode	Resolution	1 mV	10 mV	1 mV	10 mV	1 mV	10 mV
	Accuracy	±(0.025%+0.05%FS)		±(0.025%+0.05%FS)		±(0.025%+0.05%FS)	
CC mode	Range	0 ~ 50 A	0 ~ 500 A	0 ~ 20 A	0 ~ 200 A	0 ~ 10 A	0 ~ 100 A
	Resolution	1 mA	10 mA	1 mA	10 mA	1 mA	10 mA
	Accuracy	±(0.05 % + 0.1 % FS)		±(0.05%+0.05%FS)			
CR mode	Range	0.005 Ω ~ 10 Ω	10 Ω ~ 7.5 KΩ	0.02 Ω ~ 10 Ω	10 Ω ~ 7.5 KΩ	0.05 Ω ~ 10 Ω	10 Ω ~7.5 KΩ
	Resolution			16 bit			
	Accuracy	0.01% + 0.08 S	0.01% + 0.0008 S	0.01% + 0.08 S	0.01% + 0.0008 S	0.01% + 0.08 S	0.01% + 0.0008 S
CP mode	Range			10 KW			
	Resolution			1 W			
Accuracy	0.2 % + 0.2 % FS		0.2 % + 0.2 % FS		0.2 % + 0.2 % FS		
Measuring range							
V Measurement	Range	0 ~ 18 V	0 ~ 120 V	0 ~ 50 V	0 ~ 500 V	0 ~ 80 V	0 ~ 800 V
	Resolution	1 mV	10 mV	1 mV	10 mV	1 mV	10 mV
	Accuracy	±(0.025 % + 0.025 % FS)					
C Measurement	Range	0 ~ 50 A	0 ~ 500 A	0 ~ 20 A	0 ~ 200 A	0 ~ 10 A	0 ~ 100 A
	Resolution	1 mA	10 mA	1 mA	10 mA	1 mA	10 mA
	Accuracy	±(0.05 % + 0.05 % FS)		±(0.05 % + 0.05 % FS)		±(0.05 % + 0.05 % FS)	
P Measurement	Range	10 KW		10 KW		10 KW	
	Resolution			1 W			
	Accuracy	±(0.2 % + 0.2 % FS)		±(0.2 % + 0.2 % FS)		±(0.2 % + 0.2 % FS)	
Protection range							
OPP			≈10.1 KW				
OCP	≈55 A	≈550 A	≈22 A	≈220 A	≈11 A	≈110 A	
OVP	≈130 V		≈530 V		≈850 V		
OTP			≈85 °C				
Specification							
Short circuit	(CC)	≈55 A	≈550 A	≈22 A	≈220 A	≈11 A	≈110 A
	(CV)			0 V			
	(CR)	≈2 mΩ		≈15 mΩ		≈30 mΩ	
Input impedance	300 KΩ		1 MΩ		2 MΩ		
Dimension	12 U		12 U		12 U		

*1 Voltage/Current input value is more than 10%FS (FS means full range) *2Voltage/Current input value is more than 10%FS

IT8830/30B/30H Electronic Load Installation Diagram (12U,10KW)



Unit: mm

