

DESCRIPTION

US-CTA of split core style current transformers are designed for fast and easy installation

The split core design permits non-contact current measurements through magnetic field induction without disconnecting cables circuits for CT installation

This method permits a safer, easier and portable current measurement

FEATURE

- Low cost
- Split core design, safer, easier installation, and portable

APPLICATION

- Electrical lines and equipment of current measurement, control and protection
- Measures AC current flow to electric motors, lighting, air condition equipment, etc. Compatible with HVAC temperature control, power management, building automation systems



ORDERING INFORMATION

US-CTA - Hole Size - Primary current

CODE	Diameter (mm)	CODE	Rated current
10	Φ10	005	5A
16	Φ16	060	60A
24	Φ24	100	100A
		030	30A
		150	150A
		200	200A
*35	Φ35	*300	300A
		*400	400A
		*600	600A

(* MOQ 100pcs)

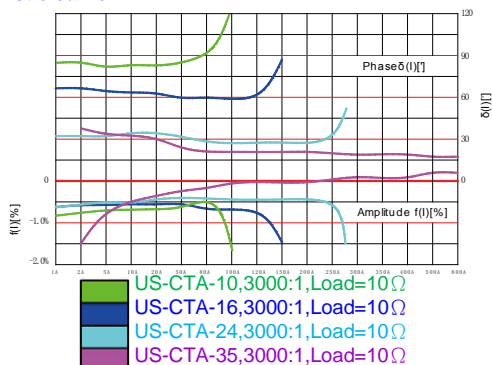
TECHNICAL SPECIFICATION

Rate primary current: 5~600A
 Rate second current: Reference Specification sheets
 Accuracy: 0.5% · Class 1.0(5A:1.0% ; 30A:1.0%)
 Phase linear error: ≤30'(5A: ≤90' ; 30A: <60')
 Operating voltage: ≤ 600Vac
 Frequency range: 50~1KHz
 Insulating resistance: 100MΩ@ 500Vdc
 Dielectric strength: 2500Vac/min
 Operating temperature: -15°C ~+50°C
 Case material: Nylon, Resin94-V0
 Approved: ETL-approved, 4002689

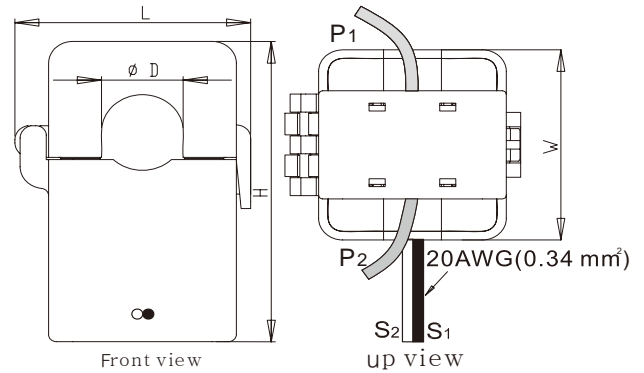
Specification sheets

Type	Current of primary (A)	Current of secondary (mA)	Accuracy %F.S.	Ratio	Weight
US-CTA-10	5A	2.5	1.0	2000:1	60g
US-CTA-16	60A	20	0.5	3000:1	100g
US-CTA-16	100A	33.3	0.5	3000:1	100g
US-CTA-24	30A	5	1.0	6000:1	205g
US-CTA-24	150A	50	0.5	3000:1	205g
US-CTA-24	200A	66.6	0.5	3000:1	205g
US-CTA-35	300A	100	0.5	3000:1	375g
US-CTA-35	400A	133.3	0.5	3000:1	375g
US-CTA-35	600A	200	0.5	3000:1	375g

Characteristic curve



DIMENSIONS



Type	Diameter (ØD)	L(Length)	W(Width)	H(Height)	Line length (S1/S2)
US-CTA-10	10.0	29.4	26.4	41.7	1200
US-CTA-16	16.0	36.9	39.2	52.9	1200
US-CTA-24	24.0	51.2	47.0	70.2	1200
US-CTA-35	35.0	65.8	51.2	83.5	1200

unit : mm

WIRING DESCRIPTION



S1 (white): connect to K terminal

S2 (black): connect to L terminal