

MT-DF DC to FREQUENCY Converter & Isolator

FEATURE

- 4 popular Input and 8 Output Ranges Programmable by dip switches
- Dual isolated output is available
- Low cost and high stability
- Design by CE standard



SPECIFICATION

Input Range	Input Impedance	Output Range	Output Mode
0 ~ 10 mV	≧ 1MΩ	0 ~ 78.1 Hz	Open collect: 30Vdc; 40mA 0 ~ 50K Hz maximum Pulse width: 50% duty cycle
0 ~ 50 mV	≧ 1MΩ	0 ~ 156.3 Hz	
0 ~ 1 V	≧ 1MΩ	0 ~ 315.2 Hz	
0 ~ 5 V	≧ 1MΩ	0 ~ 625 Hz	
0 ~ 10 V	≧ 1MΩ	0 ~ 1.25K Hz	Voltage pulse: 5V, 12V, 24V(Specify); 10mA 0 ~ 50K Hz maximum Pulse width: 50% duty cycle
1 ~ 5 V	≧ 1MΩ	0 ~ 2.5K Hz	
2 ~ 10 V	≧ 1MΩ	0 ~ 5K Hz	
-10 ~ 0 ~ +10 V	≧ 1MΩ	0 ~ 10K Hz	
0 ~ 1 mA	≧ 100Ω	0 ~ 20K Hz	Mech. Contact: 110Vac; 1A 0~130 pulse/minute maximum; On pulse width: 50% duty cycle
0 ~ 10 mA	≧ 20Ω	0 ~ 50K Hz	
0 ~ 20 mA	≧ 10Ω		
4 ~ 20 mA	≧ 10Ω		

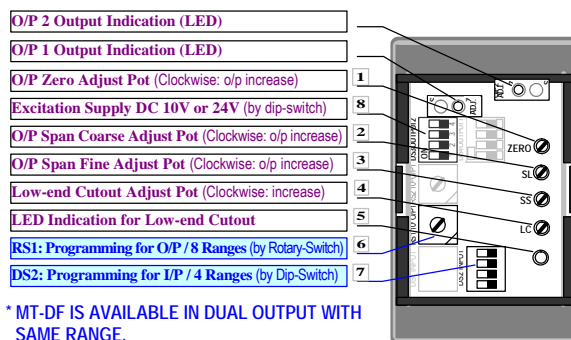
- Accuracy:** ±0.1% of F.S.
Response time: ≤250 mS Plus one pulse cycle
Coarse Span adjustment: ≤50% of F.S.
Fine Span adjustment: ≤1% of F.S.
Zero adjustment: ≤5% of F.S.
Low-end cutout adjustment: 0 ~ 10%; a red LED assists in adjusting the Cutout point; turns on during the cutout
Output range adjustment: Changeable by rotary switch on top and fine Tune with dual span adjust pot
Option range: Ultra-low frequency: 0 ~ 0.1 Hz
 Ultra-high frequency: 0 ~ 50K Hz
Voltage Output level: 5Vp, 12Vp, 24Vp specify
Power Supply: AC 115 or 230V ±10%, 50/60 Hz
Excitation supply: DC 10V/24V, 40mA
Power consumption: DC 5W, AC 6.5VA

- Operating temperature:** 0~60 °C
Operating relative humidity: 20~95 %RH
Temperature coefficient: ≤100 PPM/°C
Storage temperature: -10~70 °C

- Insulation resistance:** ≥ 100MΩ @500Vdc
Surge test: 4 KV, 1.2 x 50 μS
Dielectric Strength: AC 2KV, 50/60Hz, 1 min.
 Between Power / Input / Output / Case

Standard: Comply with EN50081-1, EN50082-2
Dimensions: 50mm(W) x 87mm(H) x 123mm(D)-with socket
Mounting: Surface and DIN rail 35mm WIDE
Weight: 600g

ADJUSTMENT

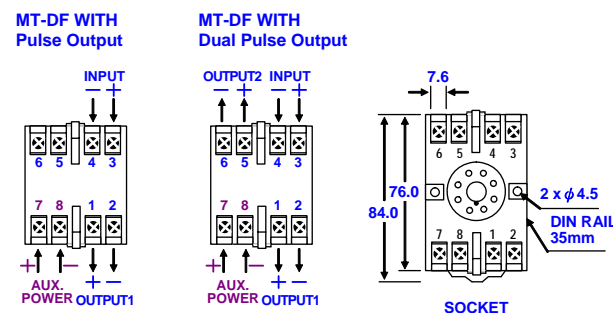


* MT-DF IS AVAILABLE IN DUAL OUTPUT WITH SAME RANGE.

PROGRAMMING FOR INPUT AND OUTPUT:

INPUT RANGE	DS2(7)	OUTPUT SIGNAL	OUTPUT RST1(6)	EXCIT. SUPPLY	OUTPUT DS3(8)	
1 ~ 5 V	[Dip Switch Diagram]	0 ~ 78.1 Hz	7	10 V	[Dip Switch Diagram]	
		0 ~ 156.3 Hz	6			
0 ~ 10 V	[Dip Switch Diagram]	0 ~ 315.2 Hz	5	24 V	[Dip Switch Diagram]	
		0 ~ 625 Hz	4			
		0 ~ 1.25K Hz	3			
		0 ~ 2.5K Hz	2			
0 ~ 20 mA	[Dip Switch Diagram]	0 ~ 5K Hz	1			
4 ~ 20 mA	[Dip Switch Diagram]	0 ~ 10K Hz	0			

CONNECTION DIAGRAM & SOCKET



ORDERING INFORMATION

Remark: ▶ When you select coding P1 or P for input and output range, please specify initial range.
 ▶ After change input or output range by dip or rotary switches (D-S or R-S), re-calibration is to be requested.

