

2.92mm - SSMA ADAPTERS 40GHZ

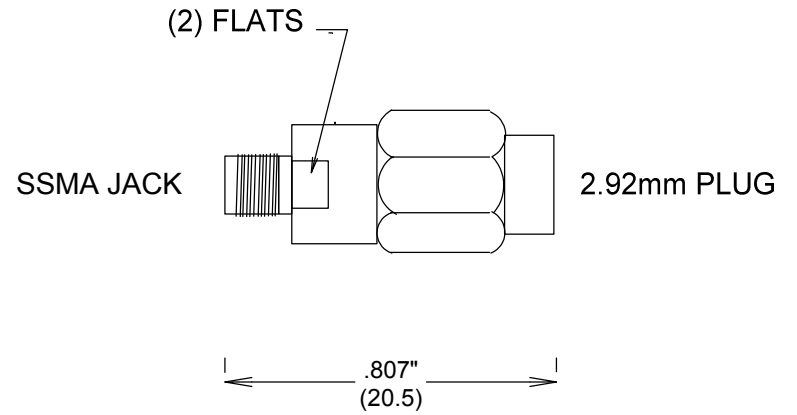
SM4835

SPECIFICATIONS

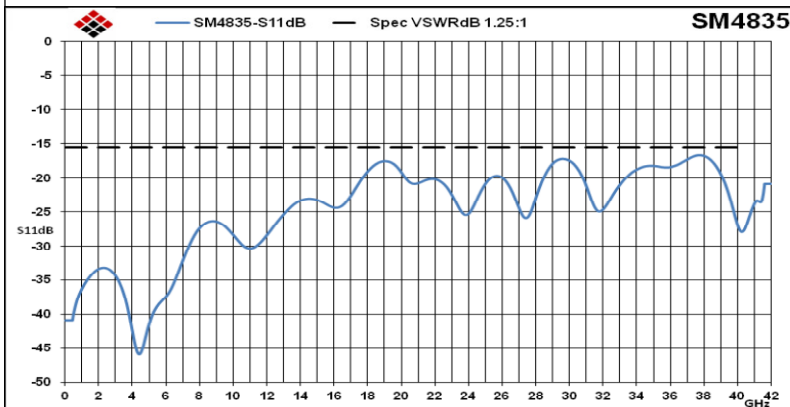
ELECTRICAL
 50 OHMS
 VSWR 1.25:1 MAX @ 40GHZ
 FREQUENCY: 0-40 GHZ

MATERIALS PASSIVATED STAINLESS STEEL
 CONTACTS: BeCu ATSM-B-196
 CONTACT PLATING Au MIL-G-45204
 INSULATOR: TEFLON
 INTERFACE: MIL-STD-348B
 -55°C TO +100 °C

ROHS COMPLIANT



MEASUREMENTS BELOW ARE TYPICAL



ALL DIMENSIONS IN inches(MM) Typical

FAIRVIEW MICROWAVE INC.

ALLEN, TX 75013 WWW.FAIRVIEWMICROWAVE.COM

TITLE

2.92mm - SSMA ADAPTERS 40GHZ

SIZE	CAGE CODE	DWG NO	REV
A	3FKR5	SM4835	--
SCALE		SHEET	