

# TERMINATION N/MALE 6GHZ 10WATTS

ST6N-10

## SPECIFICATIONS

### ELECTRICAL:

FREQUENCY: 0-6 GHZ  
VSWR: 1.2 MAX TO 6 GHZ  
POWER (AVG) 10 WATTS @ 25 DEG C  
POWER DERATES LINEARLY TO 10% @ 125 C°  
PEAK POWER: 500 WATTS  
IMPEDANCE: 50 OHMS

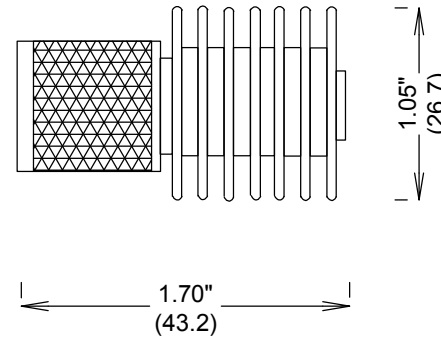
### MECHANICAL:

MATERIAL CONNECTORS: PASS. S STEEL  
MATERIAL BODY: ALUMINUM  
INTERFACE: MIL-STD-348  
CONTACT PLATING: Au MIL-G-45204

### ENVIRONMENTAL:

TEMP: -65° C TO +125° C

ROHS COMPLIANT



**FAIRVIEW MICROWAVE INC.**

ALLEN, TX 75013 WWW.FAIRVIEWMICROWAVE.COM

TITLE

**TERMINATION N/MALE 6GHZ 10WATTS**

SIZE	CAGE CODE	DWG NO	REV
<b>A</b>	<b>3FKR5</b>	<b>ST6N-10</b>	<b>A</b>
SCALE		SHEET	

ALL DIMENSIONS IN inches(MM) Typical