

# High Torque Telescoping Arms Operation Instructions



# High Torque Telescoping Arms Operation Instructions

## Introduction

The Telescoping arm provides the operator full flexibility on the assembly line. Crafted with lightweight durable carbon fiber the arm collapses like a telescope. The easy-to-use arm requires little space and doesn't disrupt the flow of production. Can be mounted to a workbench or wall. The carbon fiber design provides for high level of rigidity and flexibility as well as being maintenance free.



Model	Item #	Max Torque		Clamp Dia.	Min Arm	Max Arm
		lbft.ft	N.m		Reach	Reach
EZ-12T/1500	260115	8.8	12	1 - 1.5"	25.6"	59"
EZ-12T/2000	260116	8.8	12	1 - 1.5"	32.3"	78.7"
EZ-30T/1500	260117	22.1	30	1 - 2"	25.8"	59"
EZ-30T/2000	260118	22.1	30	1 - 2"	32.4"	78.7"
EZ-30T/2500	260119	22.1	30	1 - 2"	39.1"	98.4"
EZ-80T/1500	260120	59	80	1 - 2"	28.1"	59"
EZ-80T/2000	260121	59	80	1 - 2"	34.6"	78.7"
EZ-80T/2500	260122	59	80	1 - 2"	41.3"	98.4"
EZ-140T/1500	260123	103.3	140	1.25 - 2"	36.5"	59"
EZ-140T/2000	260124	103.3	140	1.25 - 2"	46.4"	78.7"
EZ-140T/2500	260125	103.3	140	1.25 - 2"	56.2"	98.4"
EZ-200T/1500	260126	147.5	200	*	37.4"	59"
EZ-200T/2000	260127	147.5	200	*	47.2"	78.7"
EZ-200T/2500	260128	147.5	200	*	57.1"	98.4"

# High Torque Telescoping Arms Operation Instructions

## Installation and Maintenance Recommendations for the Telescoping Arms

1. Make sure that the carbon fiber tubes are not subject to impact when the arm is in use.
2. Check that there is no excessive play in the clamp/yoke link (see Fig 1).
3. To maximize the dispersion of the torque reaction, respect the following angle positioning (see Fig 2).
4. When the Telescoping Arm is installed at horizontal position, use the universal adapter delivered with the arm. (Note the EZ-200T models don't come with a universal adapter)
5. When the Telescoping Arm is installed at vertical position, remove the universal adapter delivered with the arm.

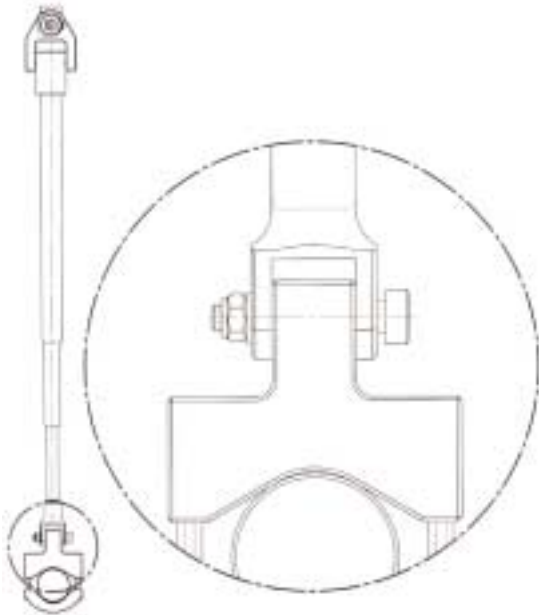


Fig 1

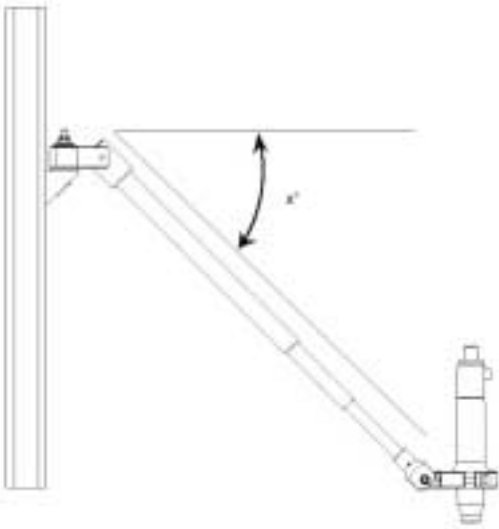


Fig 2

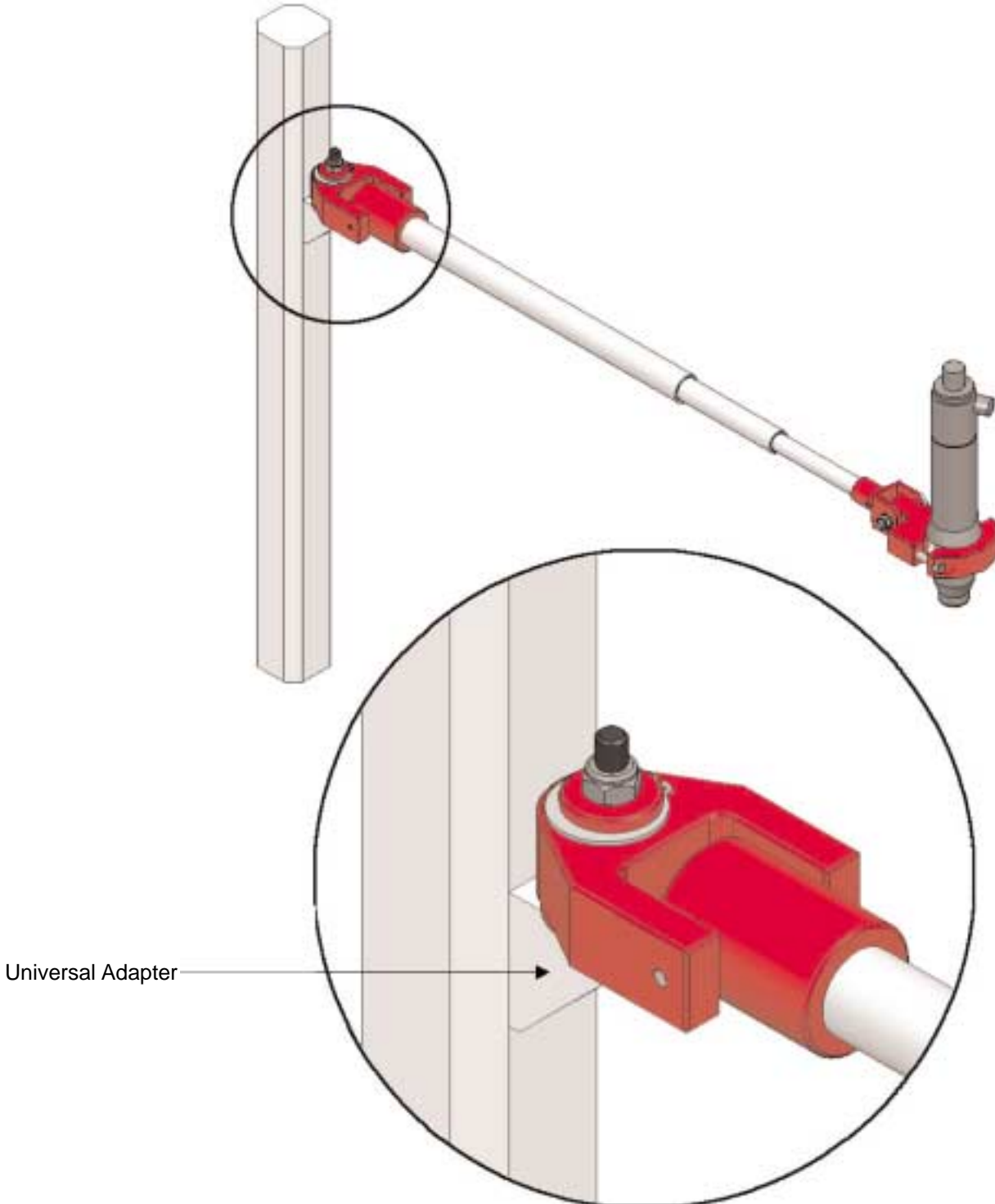
**Angle Positioning / Torque Reaction Force**

- Maximum 45 degree until 30 N.m
- Maximum 30 degree from 30 N.m - 100 N.m
- Maximum 20 degree over 100 N.m

# High Torque Telescoping Arms Operation Instructions

## Horizontal Position

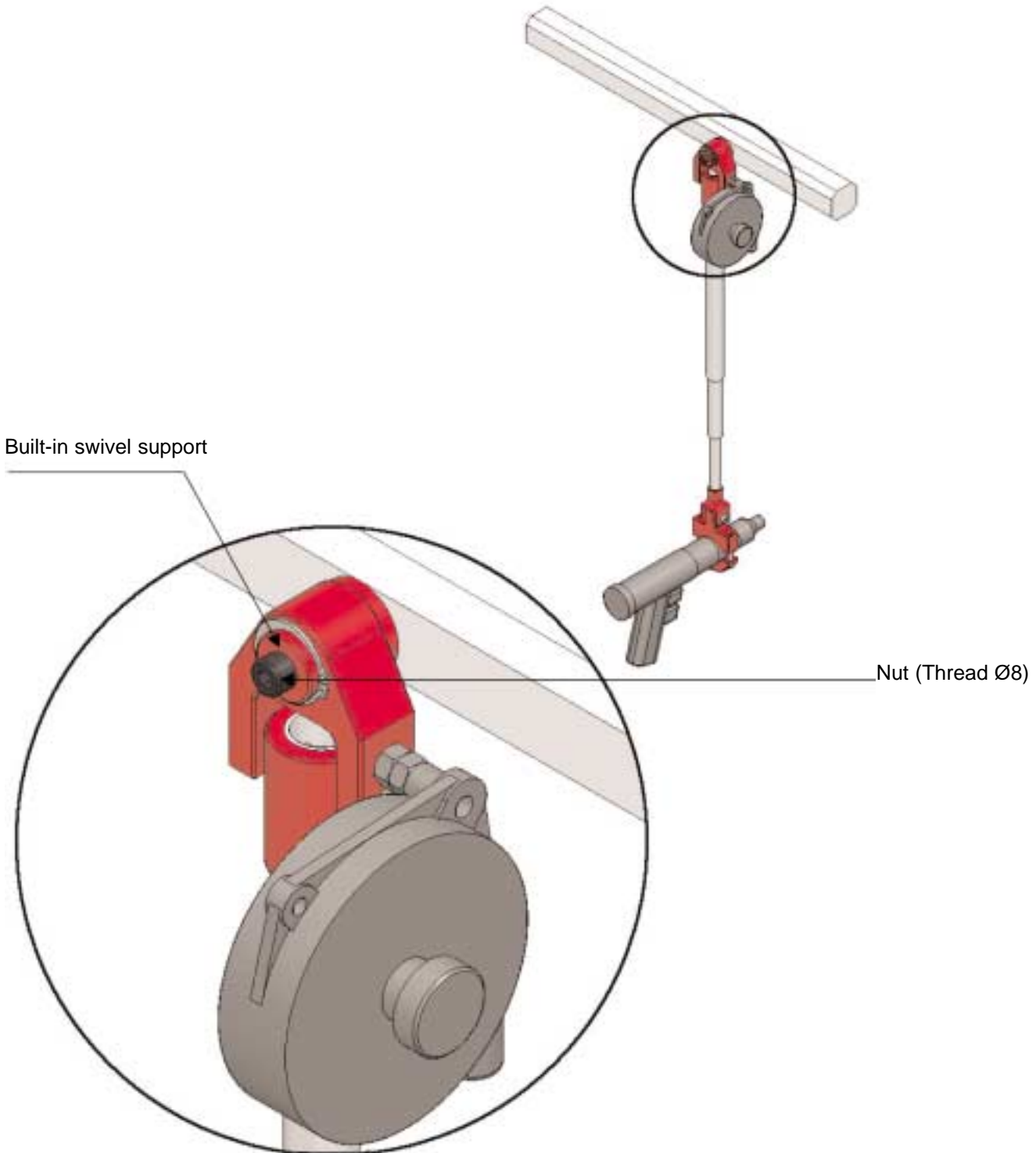
Use the universal adapter delivered with the arm. (Note the EZ-200T models don't come with a universal adapter. A custom interface would have to be manufactured)



# High Torque Telescoping Arms Operation Instructions

## Vertical Position on Fix Support

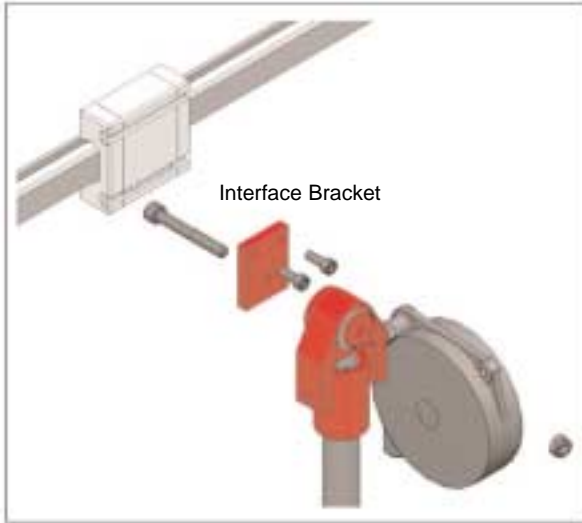
Use the universal adapter is not necessary anymore. Remove it and mount the arm directly on the support with the nut (Thread Ø8). Due to the built-in swivel support, the telescoping arm will remain free to move.



# High Torque Telescoping Arms Operation Instructions

## Vertical Position on a Horizontal Linear Guide Bush

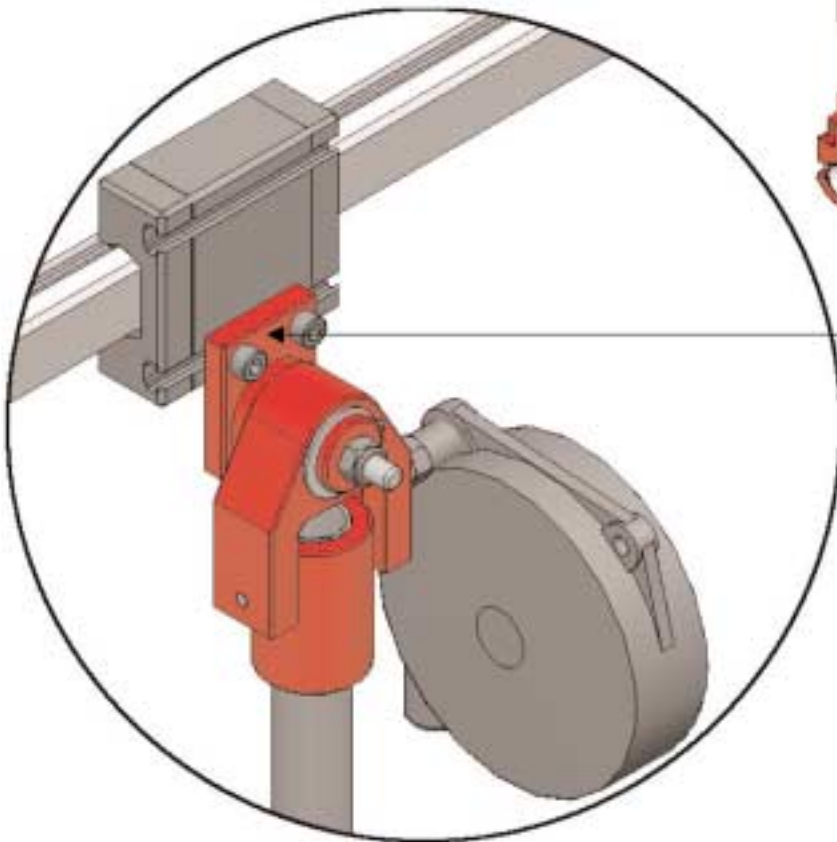
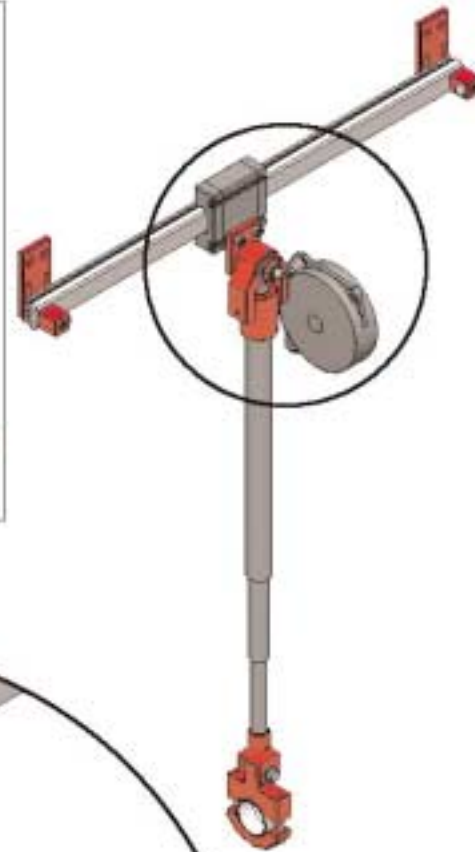
It is necessary to install one additional interface bracket (accessort - sold separately).



**Model**

Interface Bracket for EZ-30T, 80T & 140T  
Interface Bracket for EZ-200T

**Item #**



Interface Bracket

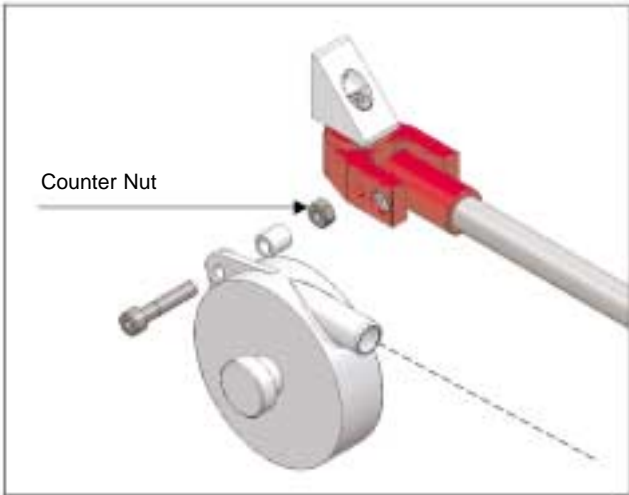
# High Torque Telescoping Arms Operation Instructions

**Accessory - Balancing kit**

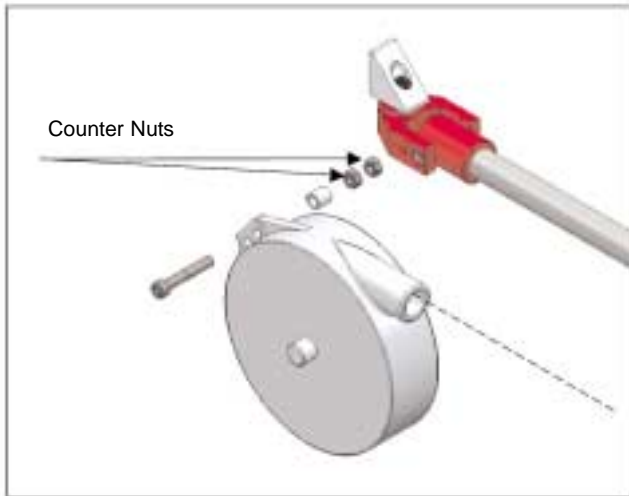
A balancing kit can be mounted on the side of any of the telescoping arms. It allows the arm to be used with pistol grip tools and angle nutrunners.

Model	Item #	Balancer Capacity	Stroke
E1	260140	2.2-4.4 lbs	63"
E2	260141	2.2-5.5 lbs	78.75"
E3	260142	4.4-8.8 lbs	78.75"
E4	260143	8.8-13.2 lbs	78.75"

Installation: Kit E1 for a EZ-12T Telescoping Arms



Installation: Kit E2, E3 & E4 for a EZ-30T, 80T, 140T and 200T Telescoping Arms



- Note:
- Make sure the balancer cable output is in line with the telescopes of the arm.
  - With the counter nut(s), make sure the balancer remains free.

# High Torque Telescoping Arms Operation Instructions

**Tool Positioning Possibility**

Besides the standard in-line tool mounting position, the telescoping arm can be used with assembly tools in a variety of positions. For some tool positioning options, a different tool clamp needs to be order separately.

**For EZ-12T & EZ-30T Arms**

Position P1  
(with standard clamp included with arm)



**For EZ-12T & EZ-30T Arms**

Position P2  
(Need to Order Tool Clamp)  
Item # 260144



Position P3

**For EZ-12T & EZ-30T Arms**

Position P3  
(Need to Order Tool Clamp)  
Item # 260145



Position P4

Position P4  
(Need to Order Tool Clamp)  
Item # 260146



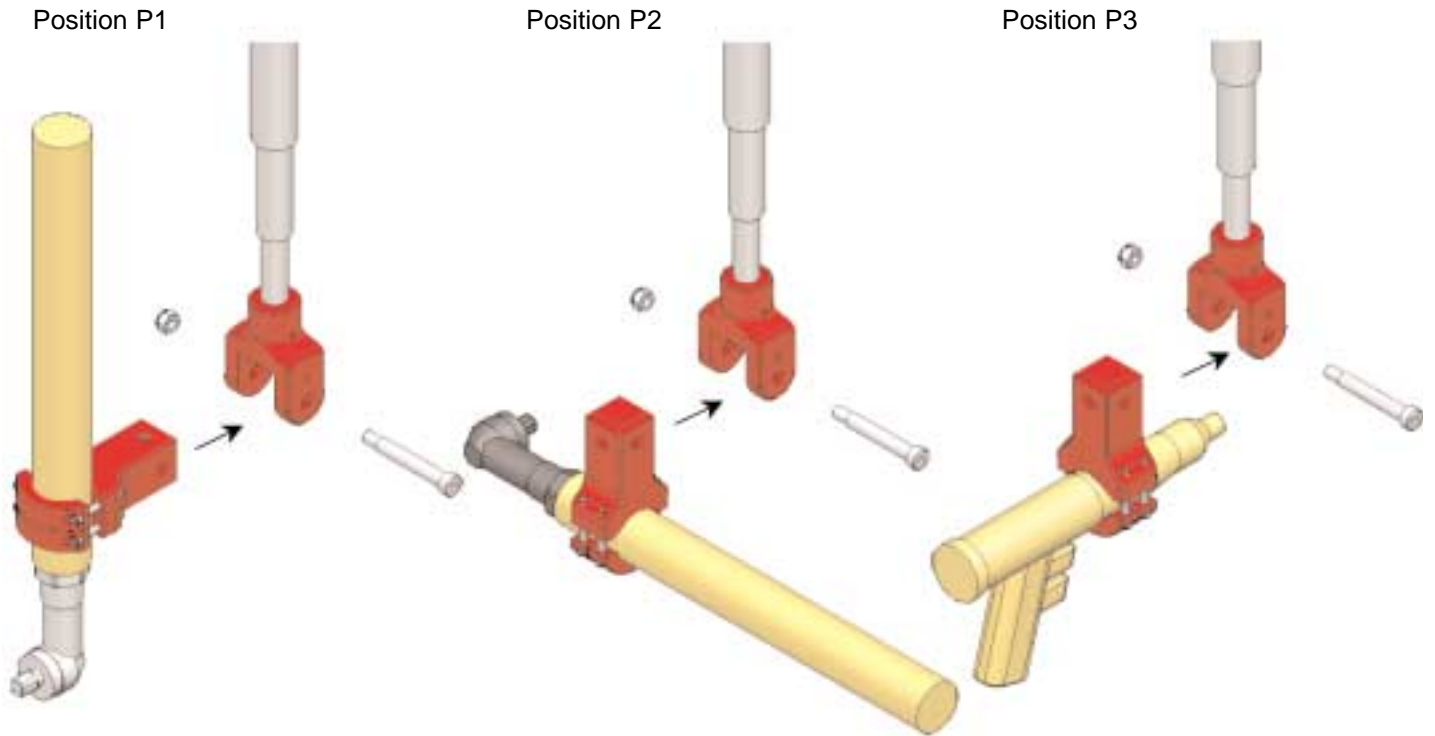


# High Torque Telescoping Arms Operation Instructions

## Tool Positioning Possibility

### Tool Positioning Possibility

For EZ-80T, 140T and 200T models, the arms are capable of being used in the variety tool positions. The clamps need to be adjusted as shown in drawing.



P4: Telescoping Arm with Angle Nutrunner  
(Vertical Position for Front Tightening)

### For EZ-80T & 140T Arms

Position P4  
(Need to Order Tool Clamp)  
Item # ?

### For EZ-200T Arms

Position P4  
(Need to Order Tool Clamp)  
Item # ?

