

**0 to 20 dB Continuously Variable Attenuator SMA Female To SMA Female From 12.4 GHz To 18 GHz Rated To 5 Watts in a Dial Design**

**Electrical Specifications\***

| Description       | Min  | Typ     | Max   | Units |
|-------------------|------|---------|-------|-------|
| Frequency Range   | 12.4 |         | 18    | GHz   |
| Impedance         |      | 50      |       | Ohms  |
| Attenuation Value |      | 0 to 20 |       | dB    |
| Step Size         |      | 0       |       | dB    |
| Step Type         |      | Dial    |       |       |
| Input Power       |      |         | 5     | Watts |
| VSWR              |      |         | 1.7:1 |       |

\* Values at 25°C, sea level

**Mechanical Specifications**

**Size**

|        |                  |
|--------|------------------|
| Length | 2.5 in [63.5 mm] |
| Width  | 1 in [25.4 mm]   |
| Height | 0.5 in [12.7 mm] |

**Connectors**

| Description                | Connector 1            | Connector 2            |
|----------------------------|------------------------|------------------------|
| Type                       | SMA Female             | SMA Female             |
| Contact Material & Plating | Beryllium Copper, Gold | Beryllium Copper, Gold |
| Body Material & Plating    | Stainless Steel        | Stainless Steel        |

**Compliance Certifications** (visit [www.FairviewMicrowave.com](http://www.FairviewMicrowave.com) for current document)

|                |     |
|----------------|-----|
| RoHS Compliant | Yes |
|----------------|-----|

**Plotted and Other Data**

Notes:

- Values at 25 °C, sea level

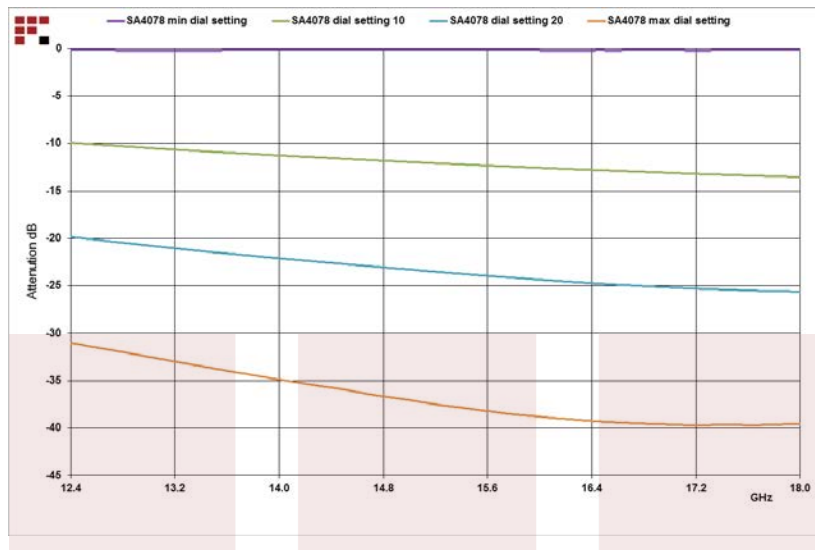


**Features:**

- Design: Continuously Variable, Bidirectional Attenuator
- Connector 1: SMA Female
- Connector 2: SMA Female
- Body Material and Plating: Aluminum

Fairview Microwave  
1130 Junction Dr. #100  
Allen, TX 75013  
Tel: 1-800-715-4396 / (972) 649-6678  
Fax: (972) 649-6689  
[www.fairviewmicrowave.com](http://www.fairviewmicrowave.com)  
[sales@fairviewmicrowave.com](mailto:sales@fairviewmicrowave.com)

**Typical Performance Data**

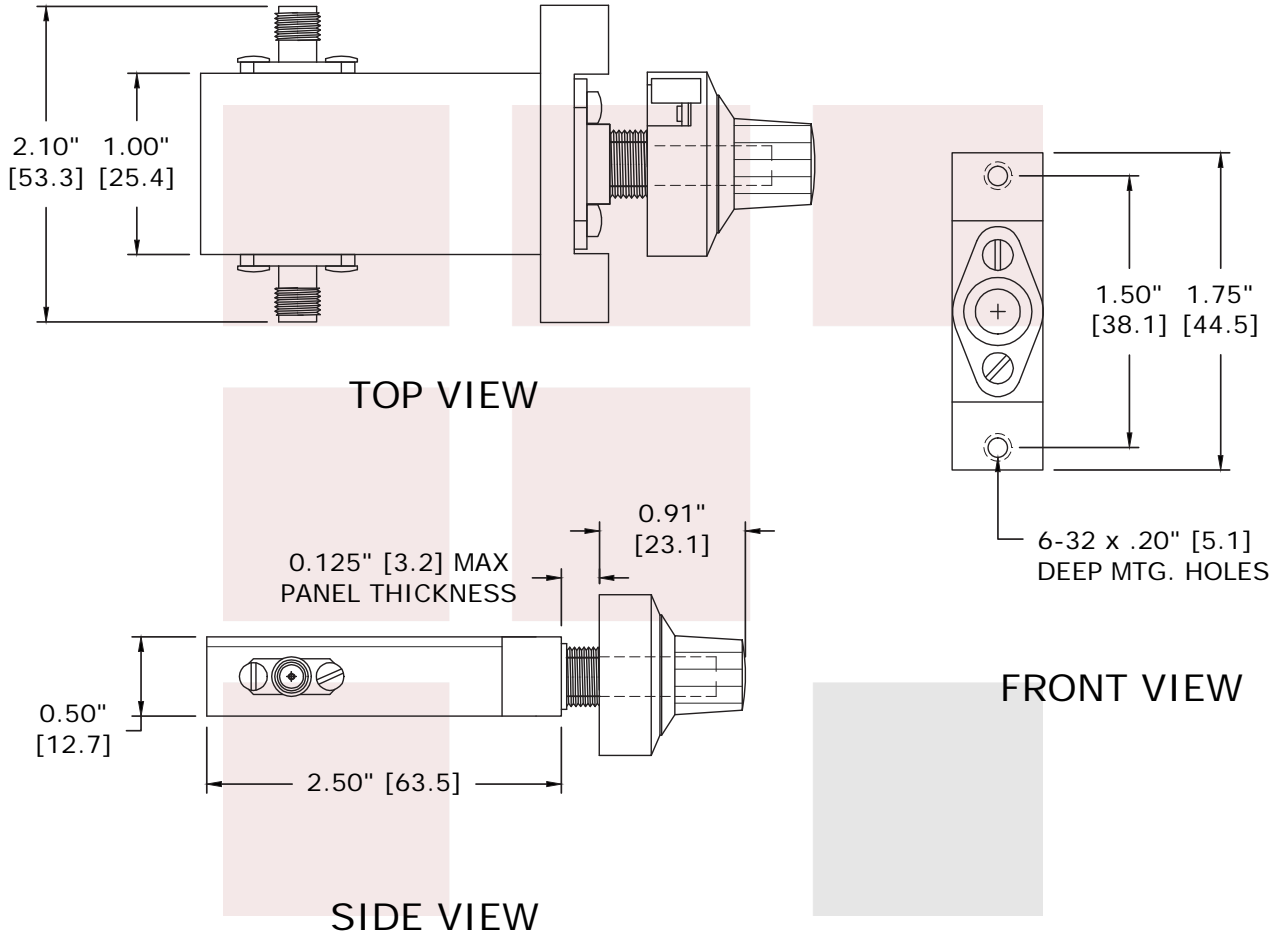


0 to 20 dB Continuously Variable Attenuator SMA Female To SMA Female From 12.4 GHz To 18 GHz Rated To 5 Watts in a Dial Design from Fairview Microwave is in-stock and available to ship same-day. All of our RF/microwave products are available off-the-shelf from our ISO 9001:2008 certified facilities in Allen, Texas. Fairview Microwave is RF on-demand.

For additional information on this product, please click the following link: [0 to 20 dB Continuously Variable Attenuator SMA Female To SMA Female From 12.4 GHz To 18 GHz Rated To 5 Watts in a Dial Design SA4078](http://www.fairviewmicrowave.com/20db-continuously-variable-attenuator-sma-female-sma-female-5-watts-sa4078)

URL: <http://www.fairviewmicrowave.com/20db-continuously-variable-attenuator-sma-female-sma-female-5-watts-sa4078-p.aspx>

The information contained in this document is accurate to the best of our knowledge and representative of the part described herein. It may be necessary to make modifications to the part and/or the documentation of the part, in order to implement improvements. Fairview Microwave reserves the right to make such changes as required. Unless otherwise stated, all specifications are nominal. Fairview Microwave does not make any representation or warranty regarding the suitability of the part described herein for any particular purpose, and Fairview Microwave does not assume any liability arising out of the use of any part or documentation.



|   |        |   |       |                           |             |
|---|--------|---|-------|---------------------------|-------------|
| <b>FAIRVIEW MICROWAVE INC.</b><br>ALLEN, TX 75013 WWW.FAIRVIEWMICROWAVE.COM   |        | NOTES:<br>1. UNLESS OTHERWISE SPECIFIED ALL DIMENSIONS ARE NOMINAL.<br>2. ALL SPECIFICATIONS ARE SUBJECT TO CHANGE WITHOUT NOTICE AT ANY TIME.<br>3. DIMENSIONS ARE IN INCHES [mm]. |       |                           |             |
| TITLE<br>0 to 20 dB Continuously Variable Attenuator SMA<br>Female To SMA Female From 12.4 GHz To 18 GHz<br>Rated To 5 Watts in a Dial Design |        | DWG NO<br><b>SA4078</b>   |       | CAGE CODE<br><b>3FKR5</b> |             |
| CAD FILE  | 020615 | SHEET   | SCALE | N/A                       | SIZE A 5568 |