

Inner DC Block From 10 MHz to 6 GHz With N Connectors

Fairview Microwave's SD3076 is an inner DC block with type N connectors. It has a blocking capacitor on the inner conductor and operates from 10 MHz to 6 GHz. Our type N DC block offers good insertion loss of 1 dB and has a maximum operating voltage of 50 Vdc. DC blocks are commonly used to filter out unwanted DC signals, while allowing AC drive signals to pass through. They can help improve signal to noise ratio (SNR), eliminate ground loops, or provide isolation in your test setup. All of Fairview Microwave's DC blocks are in stock and available to ship same-day.



Features:

- Inner DC Block
- Operates from 10 MHz to 6 GHz
- Good Insertion Loss of 1 dB Max

Electrical Specifications

Description	Min	Typ	Max	Units
Frequency Range	0.01		6	GHz
Impedance		50		Ohms
VSWR			1.35:1	
Insertion Loss			1	dB
Operating Voltage (DC)			50	Volts

Applications:

- Test & Measurement
- Ground Loop Elimination
- Signal to Noise Ratio (SNR) Improvement

Mechanical Specifications

Size	
Length	1.787 in [45.39 mm]
Width	0.787 in [19.99 mm]
Weight	0.142 lbs [64.41 g]
Housing Material and Plating	Brass, Tri-Metal

Configuration

Design	Inner DC Block
Package Type	Connectorized

Description	Connector 1	Connector 2
Type	N Male	N Female
Inner Cond Material & Plating	Brass, Gold	Brass, Gold
Dielectric Type	PTFE	PTFE
Coupling Nut Material & Plating	Brass, Tri-Metal	
Hex Size	20 mm	
Body Material & Plating	Brass, Tri-Metal	Brass, Tri-Metal

Environmental Specifications

Temperature

Operating Range	-40 to +120 deg C
Humidity	10-90% relative humidity non condensing

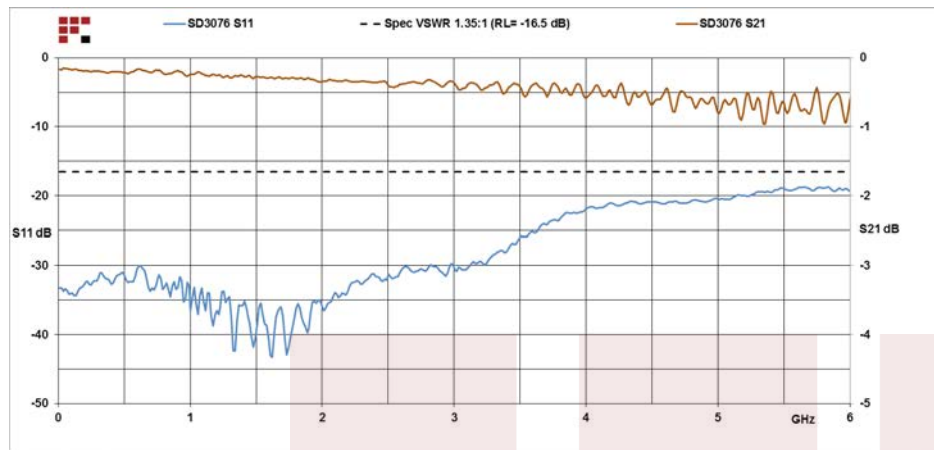
Compliance Certifications (see [product page](#) for current document)

Plotted and Other Data

Notes:

Fairview Microwave
 1130 Junction Dr. #100
 Allen, TX 75013
 Tel: 1-800-715-4396 / (972) 649-6678
 Fax: (972) 649-6689
www.fairviewmicrowave.com
sales@fairviewmicrowave.com

Typical Performance Data

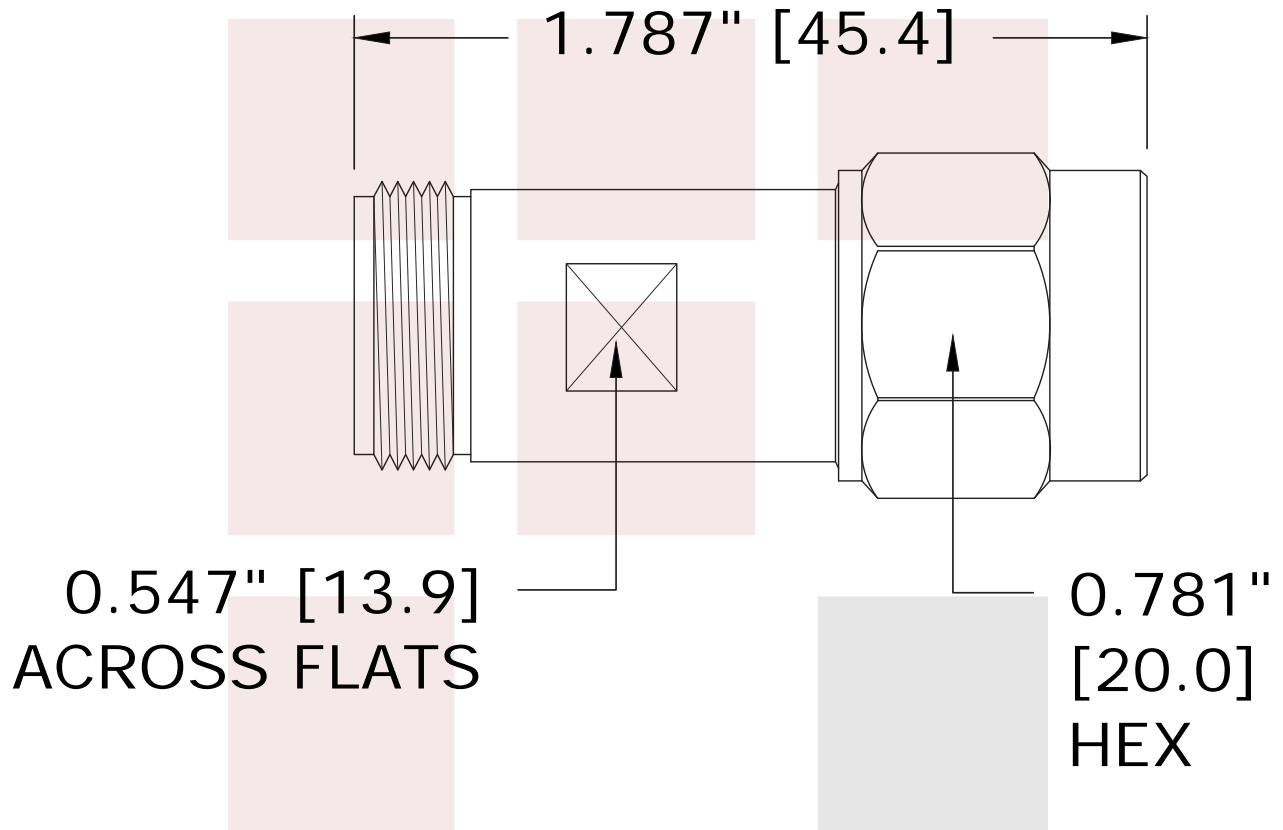


Inner DC Block From 10 MHz to 6 GHz With N Connectors from Fairview Microwave has same day shipment for domestic and International orders. Our RF, microwave and fiber optic products maintain a 99% availability and are part of the broadest selection in the industry.

Click the following link to obtain additional part information: [Inner DC Block From 10 MHz to 6 GHz With N Connectors SD3076](https://www.fairviewmicrowave.com/inner-dc-block-10-mhz-6-ghz-n-connectors-sd3076-p.aspx)

URL: <https://www.fairviewmicrowave.com/inner-dc-block-10-mhz-6-ghz-n-connectors-sd3076-p.aspx>

The information contained in this document is accurate to the best of our knowledge and representative of the part described herein. It may be necessary to make modifications to the part and/or the documentation of the part, in order to implement improvements. Fairview Microwave reserves the right to make such changes as required. Unless otherwise stated, all specifications are nominal. Fairview Microwave does not make any representation or warranty regarding the suitability of the part described herein for any particular purpose, and Fairview Microwave does not assume any liability arising out of the use of any part or documentation.



FAIRVIEW MICROWAVE INC. ALLEN, TX 75013 WWW.FAIRVIEWMICROWAVE.COM		NOTES: 1. UNLESS OTHERWISE SPECIFIED ALL DIMENSIONS ARE NOMINAL. 2. ALL SPECIFICATIONS ARE SUBJECT TO CHANGE WITHOUT NOTICE AT ANY TIME. 3. DIMENSIONS ARE IN INCHES [mm].			
TITLE Inner DC Block From 10 MHz to 6 GHz With N Connectors		DWG NO SD3076		CAGE CODE 3FKR5	
		CAD FILE 011415	SHEET	SCALE N/A	SIZE A 5568