

## Lowpass Filter Operating From With SMA Female Connectors

### Electrical Specifications\*

Description	Min	Typ	Max	Units
Passband Freq.	DC		30	MHz
Useable Freq. Range		DC to 30		MHz
Impedance		50		Ohms
Insertion Loss			1	dB
Passband VSWR			1.5:1	
Input Power			5	Watts
Rejection at 45 MHz	40			dB
Rejection at 60 MHz	60			dB

### Mechanical Specifications

#### Size

Length	1.7 in [43.18 mm]
Width	0.75 in [19.05 mm]
Height	0.65 in [16.51 mm]

#### Connectors

Description	Connector 1	Connector 2
Type	SMA Female	SMA Female

### Compliance Certifications (see [product page](#) for current document)

### Plotted and Other Data

Notes:

- Values at 25 °C, sea level

Lowpass Filter Operating From With SMA Female Connectors from Fairview Microwave is in-stock and available to ship same-day. All of our RF/microwave products are available off-the-shelf from our ISO 9001:2008 certified facilities in Allen, Texas. Fairview Microwave is RF on-demand.

For additional information on this product, please click the following link: [Lowpass Filter Operating From With SMA Female Connectors SF2405-SMA](#)

URL: <https://www.fairviewmicrowave.com/low-pass-filter-sma-female-connectors-sf2405-sma-p.aspx>

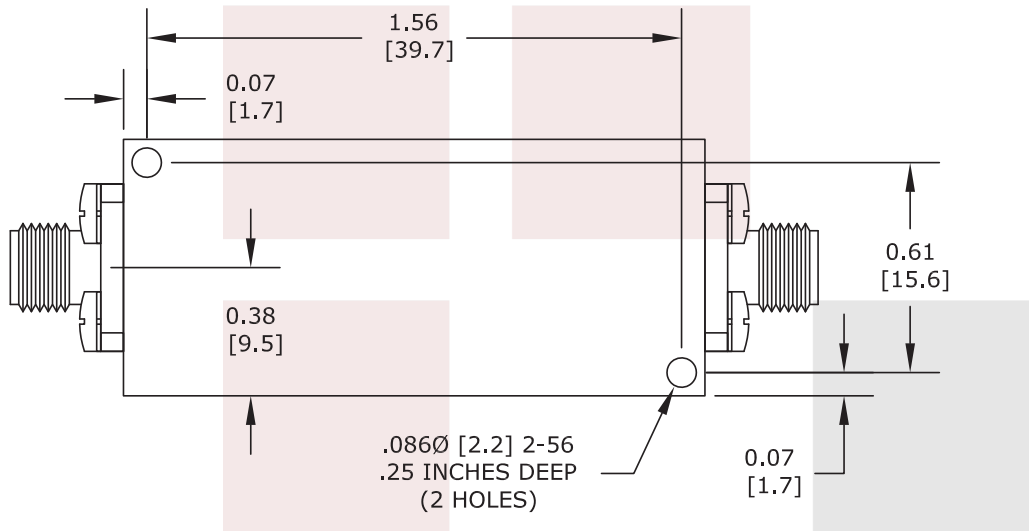
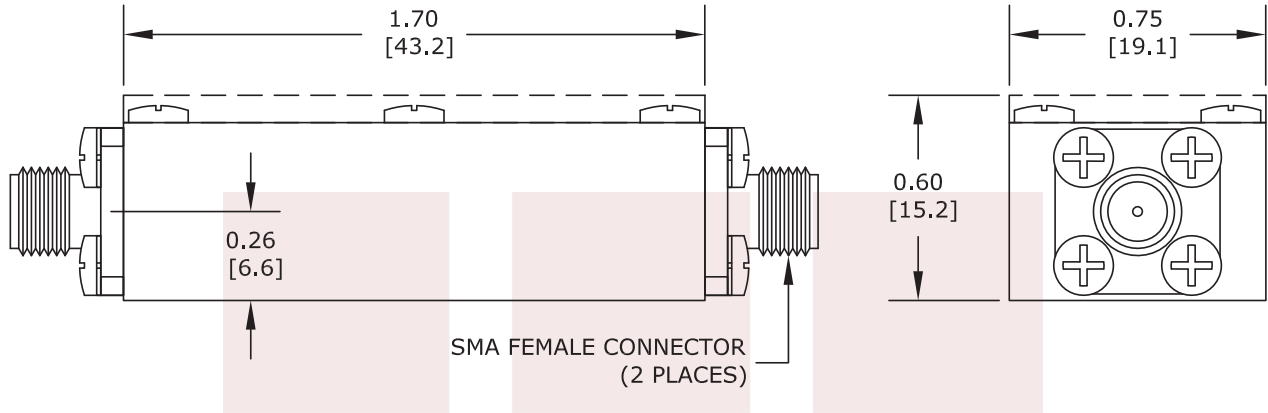
The information contained in this document is accurate to the best of our knowledge and representative of the part described herein. It may be necessary to make modifications to the part and/or the documentation of the part, in order to implement improvements. Fairview Microwave reserves the right to make such changes as required. Unless otherwise stated, all specifications are nominal. Fairview Microwave does not make any representation or warranty regarding the suitability of the part described herein for any particular purpose, and Fairview Microwave does not assume any liability arising out of the use of any part or documentation.



### Features:

- Design: Low Pass Filter
- Number of Sections: 5
- Connector 1: SMA Female
- Connector 2: SMA Female

Fairview Microwave  
 1130 Junction Dr. #100  
 Allen, TX 75013  
 Tel: 1-800-715-4396 / (972) 649-6678  
 Fax: (972) 649-6689  
[www.fairviewmicrowave.com](http://www.fairviewmicrowave.com)  
[sales@fairviewmicrowave.com](mailto:sales@fairviewmicrowave.com)



**STANDARD TOLERANCES**

.X	$\pm .1$
.XX	$\pm .01$
.XXX	$\pm .005$
.XXXX	$\pm .0010$

\*STANDARD TOLERANCES APPLY ONLY TO DIMENSIONS IN INCHES

<b>FAIRVIEW MICROWAVE INC.</b>		NOTES: 1. UNLESS OTHERWISE SPECIFIED ALL DIMENSIONS ARE NOMINAL. 2. ALL SPECIFICATIONS ARE SUBJECT TO CHANGE WITHOUT NOTICE AT ANY TIME. 3. DIMENSIONS ARE IN INCHES [mm].			
ALLEN, TX 75013 WWW.FAIRVIEWMICROWAVE.COM		DWG NO <b>SF2405-SMA</b>		CAGE CODE <b>3FKR5</b>	
TITLE Lowpass Filter Operating From With SMA Female Connectors		CAD FILE 120816	SHEET	SCALE N/A	SIZE A 2233